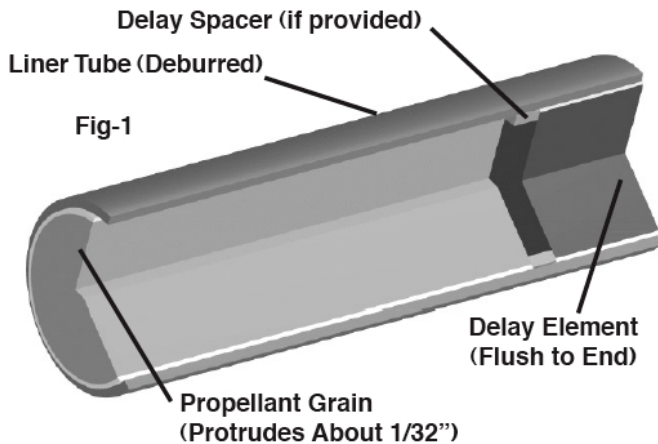
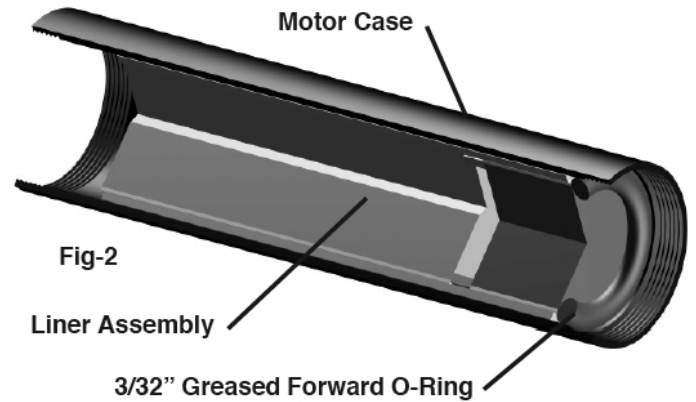


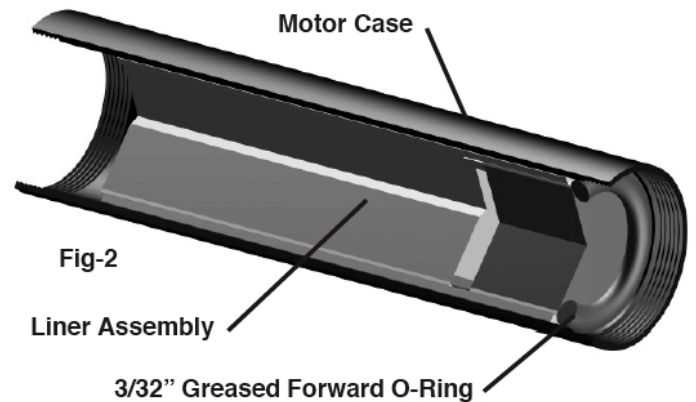
1. Select one each of the reload parts and reclose the reload kit package securely to prevent loss of parts.
2. Apply a light coat of grease to the forward and aft O-rings and all threaded surfaces. This will facilitate assembly and prevent the threads from seizing. **NOTE:** When all the grease that comes with the motor has been consumed, use petroleum jelly or similar grease.
3. **Fig-1:** Using your fingernail or a blunt object, remove the burr (rough raised edge) from both inside ends of the liner tube by pressing or scraping and rotating the tube at the same time.
4. **Fig-1:** If supplied with the reload kit, press the delay



1. Select one each of the reload parts and reclose the reload kit package securely to prevent loss of parts.
2. Apply a light coat of grease to the forward and aft O-rings and all threaded surfaces. This will facilitate assembly and prevent the threads from seizing. **NOTE:** When all the grease that comes with the motor has been consumed, use petroleum jelly or similar grease.
3. **Fig-1:** Using your fingernail or a blunt object, remove the burr (rough raised edge) from both inside ends of the liner tube by pressing or scraping and rotating the tube at the same time.
4. **Fig-1:** If supplied with the reload kit, press the delay



5. spacer into one end of the liner tube until it is recessed into the liner tube at least 1/8".
5. **Fig-1:** Press the delay element into the same end of the liner tube as the delay spacer until it is flush with the liner.
6. **Fig-1:** Insert the propellant grain into the other end of the liner tube until it stops. The propellant grain should protrude above the liner about 1/32". **WARNING: FAILURE TO INSTALL THE DELAY ELEMENT, DELAY SPACER AND PROPELLANT GRAIN CORRECTLY MAY RESULT IN THE EJECTION CHARGE FUNCTIONING AT THE TIME OF IGNITION OF THE MOTOR, POSSIBLY DAMAGING YOUR MOTOR AND ROCKET.**



5. spacer into one end of the liner tube until it is recessed into the liner tube at least 1/8".
5. **Fig-1:** Press the delay element into the same end of the liner tube as the delay spacer until it is flush with the liner.
6. **Fig-1:** Insert the propellant grain into the other end of the liner tube until it stops. The propellant grain should protrude above the liner about 1/32". **WARNING: FAILURE TO INSTALL THE DELAY ELEMENT, DELAY SPACER AND PROPELLANT GRAIN CORRECTLY MAY RESULT IN THE EJECTION CHARGE FUNCTIONING AT THE TIME OF IGNITION OF THE MOTOR, POSSIBLY DAMAGING YOUR MOTOR AND ROCKET.**

First Aid

For a minor burn, apply a burn ointment. For a severe burn, immerse the burned area in ice water at once and see a physician as quickly as possible. In the unlikely event of oral ingestion of the propellant, induce vomiting and see a physician as quickly as possible. The AeroTech/RCS hobby reload delay kit pyrotechnic components consists primarily of ammonium perchlorate and a rubber-like plastic elastomer.

Disposal

Damaged or defective hobby reload delay kits should be returned to RCS.

Fire Safety

Tests show that the pyrotechnic components of RMS™ hobby reload delay kits will not explode in fires and normally will not ignite unless subjected to direct flame and then will burn slowly. Use water to fight any fires in which AeroTech/RCS RMS™ hobby reload delay kit pyrotechnic components may become involved: Direct the water at the Aero-Tech/RCS RMS™ hobby reload delay kit pyrotechnic components to keep them below their 550 deg. F autoignition temperature. Foam and carbon dioxide fire extinguishers will NOT extinguish burning propellants of the type used in RMS™ hobby reload delay kit pyrotechnic components. Keep hobby reload delay kit pyrotechnic components away from flames, sources of heat and flammable materials.

Disclaimer and Warranty

NOTICE: Since we cannot control the storage and use of our products, once sold we cannot assume any responsibility for product storage, transportation or usage. RCS shall not be held responsible for any personal injury or property damage resulting from the handling, storage or use of our product. The buyer assumes all risks and liabilities therefrom and accepts and uses AeroTech/RCS products on these conditions. No warranty either expressed or implied is made regarding AeroTech products, except for replacement or repair, at RCS's option, of those products which are proven to be defective in manufacture within one year from the date of original purchase. For repair or replacement under this warranty, please contact RCS. Proof of purchase will be required. Note: Your state may provide additional rights not covered by this warranty.

AeroTech Division
RCS Rocket Motor Components, Inc.
Cedar City, UT 84720
www.aerotech-rocketry.com

P/N 20400 Rev. 4/19/07
Made in U.S.A.
©2007 RCS Rocket Motor Components, Inc.
All rights reserved

First Aid

For a minor burn, apply a burn ointment. For a severe burn, immerse the burned area in ice water at once and see a physician as quickly as possible. In the unlikely event of oral ingestion of the propellant, induce vomiting and see a physician as quickly as possible. The AeroTech/RCS hobby reload delay kit pyrotechnic components consists primarily of ammonium perchlorate and a rubber-like plastic elastomer.

Disposal

Damaged or defective hobby reload delay kits should be returned to RCS.

Fire Safety

Tests show that the pyrotechnic components of RMS™ hobby reload delay kits will not explode in fires and normally will not ignite unless subjected to direct flame and then will burn slowly. Use water to fight any fires in which AeroTech/RCS RMS™ hobby reload delay kit pyrotechnic components may become involved: Direct the water at the Aero-Tech/RCS RMS™ hobby reload delay kit pyrotechnic components to keep them below their 550 deg. F autoignition temperature. Foam and carbon dioxide fire extinguishers will NOT extinguish burning propellants of the type used in RMS™ hobby reload delay kit pyrotechnic components. Keep hobby reload delay kit pyrotechnic components away from flames, sources of heat and flammable materials.

Disclaimer and Warranty

NOTICE: Since we cannot control the storage and use of our products, once sold we cannot assume any responsibility for product storage, transportation or usage. RCS shall not be held responsible for any personal injury or property damage resulting from the handling, storage or use of our product. The buyer assumes all risks and liabilities therefrom and accepts and uses AeroTech/RCS products on these conditions. No warranty either expressed or implied is made regarding AeroTech products, except for replacement or repair, at RCS's option, of those products which are proven to be defective in manufacture within one year from the date of original purchase. For repair or replacement under this warranty, please contact RCS. Proof of purchase will be required. Note: Your state may provide additional rights not covered by this warranty.

AeroTech Division
RCS Rocket Motor Components, Inc.
Cedar City, UT 84720
www.aerotech-rocketry.com

P/N 20400 Rev. 4/19/07
Made in U.S.A.
©2007 RCS Rocket Motor Components, Inc.
All rights reserved

AEROTECH[®]
CONSUMER AEROSPACE



0 94433 43501 0
Product no. 43501

18MM RMS™ HOBBY RELOAD DELAY KIT (HDK™)

HDK Type: HDK-01

For Use With The Following RMS™ Reload Kit(s):

D24-4T

This HDK Contains The Following Parts:

Part No.	Description	Qty.
03201	HDK delay element (0.281" long solid part)	3
03055	Delay spacer (0.234" long yellow paper ring)	3

NOTE: The delay o-ring, delay insulator and other parts mentioned in the HDK instructions are supplied in your RMS™ reload kit. RMS Hardware not included.

NOTE: SALE TO PERSONS UNDER 18 YEARS OF AGE PROHIBITED BY FEDERAL LAW. WARNING-FLAMMABLE: Read Instructions Before Use. KEEP OUT OF REACH OF CHILDREN. DO NOT SMOKE when loading RMS motors or use in the vicinity of open flames.

AEROTECH[®]
CONSUMER AEROSPACE



0 94433 43501 0
Product no. 43501

18MM RMS™ HOBBY RELOAD DELAY KIT (HDK™)

HDK Type: HDK-01

For Use With The Following RMS™ Reload Kit(s):

D24-4T

This HDK Contains The Following Parts:

Part No.	Description	Qty.
03201	HDK delay element (0.281" long solid part)	3
03055	Delay spacer (0.234" long yellow paper ring)	3

NOTE: The delay o-ring, delay insulator and other parts mentioned in the HDK instructions are supplied in your RMS™ reload kit. RMS Hardware not included.

NOTE: SALE TO PERSONS UNDER 18 YEARS OF AGE PROHIBITED BY FEDERAL LAW. WARNING-FLAMMABLE: Read Instructions Before Use. KEEP OUT OF REACH OF CHILDREN. DO NOT SMOKE when loading RMS motors or use in the vicinity of open flames.

First Aid

For a minor burn, apply a burn ointment. For a severe burn, immerse the burned area in ice water at once and see a physician as quickly as possible. In the unlikely event of oral ingestion of the propellant, induce vomiting and see a physician as quickly as possible. The AeroTech/RCS hobby reload delay kit pyrotechnic components consists primarily of ammonium perchlorate and a rubber-like plastic elastomer.

Disposal

Damaged or defective hobby reload delay kits should be returned to RCS.

Fire Safety

Tests show that the pyrotechnic components of RMS™ hobby reload delay kits will not explode in fires and normally will not ignite unless subjected to direct flame and then will burn slowly. Use water to fight any fires in which AeroTech/RCS RMS™ hobby reload delay kit pyrotechnic components may become involved: Direct the water at the Aero-Tech/RCS RMS™ hobby reload delay kit pyrotechnic components to keep them below their 550 deg. F autoignition temperature. Foam and carbon dioxide fire extinguishers will NOT extinguish burning propellants of the type used in RMS™ hobby reload delay kit pyrotechnic components. Keep hobby reload delay kit pyrotechnic components away from flames, sources of heat and flammable materials.

Disclaimer and Warranty

NOTICE: Since we cannot control the storage and use of our products, once sold we cannot assume any responsibility for product storage, transportation or usage. RCS shall not be held responsible for any personal injury or property damage resulting from the handling, storage or use of our product. The buyer assumes all risks and liabilities therefrom and accepts and uses AeroTech/RCS products on these conditions. No warranty either expressed or implied is made regarding AeroTech products, except for replacement or repair, at RCS's option, of those products which are proven to be defective in manufacture within one year from the date of original purchase. For repair or replacement under this warranty, please contact RCS. Proof of purchase will be required. Note: Your state may provide additional rights not covered by this warranty.

AeroTech Division
RCS Rocket Motor Components, Inc.
Cedar City, UT 84720
www.aerotech-rocketry.com

P/N 20401 Rev. 4/19/07
Made in U.S.A.
©2007 RCS Rocket Motor Components, Inc.
All rights reserved



0 94433 43502 7
Product no. 43502

18MM RMS™ HOBBY RELOAD DELAY KIT (HDK™)

HDK Type: HDK-02

For Use With The Following RMS™ Reload Kit(s):

D24-7T

This HDK Contains The Following Parts:

Part No.	Description	Qty.
03203	HDK delay element (0.375" long solid part)	3
03052	Delay spacer (0.140" long greenpaper ring)	3

NOTE: The delay o-ring, delay insulator and other parts mentioned in the HDK instructions are supplied in your RMS™ reload kit. RMS Hardware not included.

NOTE: SALE TO PERSONS UNDER 18 YEARS OF AGE PROHIBITED BY FEDERAL LAW. WARNING-FLAMMABLE: Read Instructions Before Use. KEEP OUT OF REACH OF CHILDREN. DO NOT SMOKE when loading RMS motors or use in the vicinity of open flames.

First Aid

For a minor burn, apply a burn ointment. For a severe burn, immerse the burned area in ice water at once and see a physician as quickly as possible. In the unlikely event of oral ingestion of the propellant, induce vomiting and see a physician as quickly as possible. The AeroTech/RCS hobby reload delay kit pyrotechnic components consists primarily of ammonium perchlorate and a rubber-like plastic elastomer.

Disposal

Damaged or defective hobby reload delay kits should be returned to RCS.

Fire Safety

Tests show that the pyrotechnic components of RMS™ hobby reload delay kits will not explode in fires and normally will not ignite unless subjected to direct flame and then will burn slowly. Use water to fight any fires in which AeroTech/RCS RMS™ hobby reload delay kit pyrotechnic components may become involved: Direct the water at the Aero-Tech/RCS RMS™ hobby reload delay kit pyrotechnic components to keep them below their 550 deg. F autoignition temperature. Foam and carbon dioxide fire extinguishers will NOT extinguish burning propellants of the type used in RMS™ hobby reload delay kit pyrotechnic components. Keep hobby reload delay kit pyrotechnic components away from flames, sources of heat and flammable materials.

Disclaimer and Warranty

NOTICE: Since we cannot control the storage and use of our products, once sold we cannot assume any responsibility for product storage, transportation or usage. RCS shall not be held responsible for any personal injury or property damage resulting from the handling, storage or use of our product. The buyer assumes all risks and liabilities therefrom and accepts and uses AeroTech/RCS products on these conditions. No warranty either expressed or implied is made regarding AeroTech products, except for replacement or repair, at RCS's option, of those products which are proven to be defective in manufacture within one year from the date of original purchase. For repair or replacement under this warranty, please contact RCS. Proof of purchase will be required. Note: Your state may provide additional rights not covered by this warranty.

AeroTech Division
RCS Rocket Motor Components, Inc.
Cedar City, UT 84720
www.aerotech-rocketry.com

P/N 20401 Rev. 4/19/07
Made in U.S.A.
©2007 RCS Rocket Motor Components, Inc.
All rights reserved



0 94433 43502 7
Product no. 43502

18MM RMS™ HOBBY RELOAD DELAY KIT (HDK™)

HDK Type: HDK-02

For Use With The Following RMS™ Reload Kit(s):

D24-7T

This HDK Contains The Following Parts:

Part No.	Description	Qty.
03203	HDK delay element (0.375" long solid part)	3
03052	Delay spacer (0.140" long greenpaper ring)	3

NOTE: The delay o-ring, delay insulator and other parts mentioned in the HDK instructions are supplied in your RMS™ reload kit. RMS Hardware not included.

NOTE: SALE TO PERSONS UNDER 18 YEARS OF AGE PROHIBITED BY FEDERAL LAW. WARNING-FLAMMABLE: Read Instructions Before Use. KEEP OUT OF REACH OF CHILDREN. DO NOT SMOKE when loading RMS motors or use in the vicinity of open flames.

First Aid

For a minor burn, apply a burn ointment. For a severe burn, immerse the burned area in ice water at once and see a physician as quickly as possible. In the unlikely event of oral ingestion of the propellant, induce vomiting and see a physician as quickly as possible. The AeroTech/RCS hobby reload delay kit pyrotechnic components consists primarily of ammonium perchlorate and a rubber-like plastic elastomer.

Disposal

Damaged or defective hobby reload delay kits should be returned to RCS.

Fire Safety

Tests show that the pyrotechnic components of RMS™ hobby reload delay kits will not explode in fires and normally will not ignite unless subjected to direct flame and then will burn slowly. Use water to fight any fires in which AeroTech/RCS RMS™ hobby reload delay kit pyrotechnic components may become involved: Direct the water at the AeroTech/RCS RMS™ hobby reload delay kit pyrotechnic components to keep them below their 550 deg. F autoignition temperature. Foam and carbon dioxide fire extinguishers will NOT extinguish burning propellants of the type used in RMS™ hobby reload delay kit pyrotechnic components. Keep hobby reload delay kit pyrotechnic components away from flames, sources of heat and flammable materials.

Disclaimer and Warranty

NOTICE: Since we cannot control the storage and use of our products, once sold we cannot assume any responsibility for product storage, transportation or usage. RCS shall not be held responsible for any personal injury or property damage resulting from the handling, storage or use of our product. The buyer assumes all risks and liabilities therefrom and accepts and uses AeroTech/RCS products on these conditions. No warranty either expressed or implied is made regarding AeroTech products, except for replacement or repair, at RCS's option, of those products which are proven to be defective in manufacture within one year from the date of original purchase. For repair or replacement under this warranty, please contact RCS. Proof of purchase will be required. Note: Your state may provide additional rights not covered by this warranty.

AeroTech Division
RCS Rocket Motor Components, Inc.
Cedar City, UT 84720
www.aerotech-rocketry.com

P/N 20402 Rev. 4/19/07
Made in U.S.A.
©2007 RCS Rocket Motor Components, Inc.
All rights reserved



0 94433 43503 4
Product no. 43503

18MM RMS™ HOBBY RELOAD DELAY KIT (HDK™)

HDK Type: HDK-03

For Use With The Following RMS™ Reload Kit(s):

D13-4W

This HDK Contains The Following Parts:

Part No.	Description	Qty.
03206	HDK delay element (0.407" long solid part)	3
03050	Delay spacer (0.094" long black paper ring)	3

NOTE: The delay o-ring, delay insulator and other parts mentioned in the HDK instructions are supplied in your RMS™ reload kit. RMS Hardware not included.

NOTE: SALE TO PERSONS UNDER 18 YEARS OF AGE PROHIBITED BY FEDERAL LAW. WARNING-FLAMMABLE: Read Instructions Before Use. KEEP OUT OF REACH OF CHILDREN. DO NOT SMOKE when loading RMS motors or use in the vicinity of open flames.

First Aid

For a minor burn, apply a burn ointment. For a severe burn, immerse the burned area in ice water at once and see a physician as quickly as possible. In the unlikely event of oral ingestion of the propellant, induce vomiting and see a physician as quickly as possible. The AeroTech/RCS hobby reload delay kit pyrotechnic components consists primarily of ammonium perchlorate and a rubber-like plastic elastomer.

Disposal

Damaged or defective hobby reload delay kits should be returned to RCS.

Fire Safety

Tests show that the pyrotechnic components of RMS™ hobby reload delay kits will not explode in fires and normally will not ignite unless subjected to direct flame and then will burn slowly. Use water to fight any fires in which AeroTech/RCS RMS™ hobby reload delay kit pyrotechnic components may become involved: Direct the water at the AeroTech/RCS RMS™ hobby reload delay kit pyrotechnic components to keep them below their 550 deg. F autoignition temperature. Foam and carbon dioxide fire extinguishers will NOT extinguish burning propellants of the type used in RMS™ hobby reload delay kit pyrotechnic components. Keep hobby reload delay kit pyrotechnic components away from flames, sources of heat and flammable materials.

Disclaimer and Warranty

NOTICE: Since we cannot control the storage and use of our products, once sold we cannot assume any responsibility for product storage, transportation or usage. RCS shall not be held responsible for any personal injury or property damage resulting from the handling, storage or use of our product. The buyer assumes all risks and liabilities therefrom and accepts and uses AeroTech/RCS products on these conditions. No warranty either expressed or implied is made regarding AeroTech products, except for replacement or repair, at RCS's option, of those products which are proven to be defective in manufacture within one year from the date of original purchase. For repair or replacement under this warranty, please contact RCS. Proof of purchase will be required. Note: Your state may provide additional rights not covered by this warranty.

AeroTech Division
RCS Rocket Motor Components, Inc.
Cedar City, UT 84720
www.aerotech-rocketry.com

P/N 20402 Rev. 4/19/07
Made in U.S.A.
©2007 RCS Rocket Motor Components, Inc.
All rights reserved



0 94433 43503 4
Product no. 43503

18MM RMS™ HOBBY RELOAD DELAY KIT (HDK™)

HDK Type: HDK-03

For Use With The Following RMS™ Reload Kit(s):

D13-4W

This HDK Contains The Following Parts:

Part No.	Description	Qty.
03206	HDK delay element (0.407" long solid part)	3
03050	Delay spacer (0.094" long black paper ring)	3

NOTE: The delay o-ring, delay insulator and other parts mentioned in the HDK instructions are supplied in your RMS™ reload kit. RMS Hardware not included.

NOTE: SALE TO PERSONS UNDER 18 YEARS OF AGE PROHIBITED BY FEDERAL LAW. WARNING-FLAMMABLE: Read Instructions Before Use. KEEP OUT OF REACH OF CHILDREN. DO NOT SMOKE when loading RMS motors or use in the vicinity of open flames.

First Aid

For a minor burn, apply a burn ointment. For a severe burn, immerse the burned area in ice water at once and see a physician as quickly as possible. In the unlikely event of oral ingestion of the propellant, induce vomiting and see a physician as quickly as possible. The AeroTech/RCS hobby reload delay kit pyrotechnic components consists primarily of ammonium perchlorate and a rubber-like plastic elastomer.

Disposal

Damaged or defective hobby reload delay kits should be returned to RCS.

Fire Safety

Tests show that the pyrotechnic components of RMS™ hobby reload delay kits will not explode in fires and normally will not ignite unless subjected to direct flame and then will burn slowly. Use water to fight any fires in which AeroTech/RCS RMS™ hobby reload delay kit pyrotechnic components may become involved: Direct the water at the AeroTech/RCS RMS™ hobby reload delay kit pyrotechnic components to keep them below their 550 deg. F autoignition temperature. Foam and carbon dioxide fire extinguishers will NOT extinguish burning propellants of the type used in RMS™ hobby reload delay kit pyrotechnic components. Keep hobby reload delay kit pyrotechnic components away from flames, sources of heat and flammable materials.

Disclaimer and Warranty

NOTICE: Since we cannot control the storage and use of our products, once sold we cannot assume any responsibility for product storage, transportation or usage. RCS shall not be held responsible for any personal injury or property damage resulting from the handling, storage or use of our product. The buyer assumes all risks and liabilities therefrom and accepts and uses AeroTech/RCS products on these conditions. No warranty either expressed or implied is made regarding AeroTech products, except for replacement or repair, at RCS's option, of those products which are proven to be defective in manufacture within one year from the date of original purchase. For repair or replacement under this warranty, please contact RCS. Proof of purchase will be required. Note: Your state may provide additional rights not covered by this warranty.

AeroTech Division
RCS Rocket Motor Components, Inc.
Cedar City, UT 84720
www.aerotech-rocketry.com

P/N 20403 Rev. 4/19/07
Made in U.S.A.
©2007 RCS Rocket Motor Components, Inc.
All rights reserved



Product no. 43504

18MM RMS™ HOBBY RELOAD DELAY KIT (HDK™)

HDK Type: HDK-04

For Use With The Following RMS™ Reload Kit(s):

D24-10T

This HDK Contains The Following Parts:

Part No.	Description	Qty.
03208	HDK delay element (0.469" long solid part)	3
00013	Delay spacer (0.062" thick o-ring)	3

NOTE: The delay o-ring, delay insulator and other parts mentioned in the HDK instructions are supplied in your RMS™ reload kit. RMS Hardware not included.

NOTE: SALE TO PERSONS UNDER 18 YEARS OF AGE PROHIBITED BY FEDERAL LAW. WARNING-FLAMMABLE: Read Instructions Before Use. KEEP OUT OF REACH OF CHILDREN. DO NOT SMOKE when loading RMS motors or use in the vicinity of open flames.

First Aid

For a minor burn, apply a burn ointment. For a severe burn, immerse the burned area in ice water at once and see a physician as quickly as possible. In the unlikely event of oral ingestion of the propellant, induce vomiting and see a physician as quickly as possible. The AeroTech/RCS hobby reload delay kit pyrotechnic components consists primarily of ammonium perchlorate and a rubber-like plastic elastomer.

Disposal

Damaged or defective hobby reload delay kits should be returned to RCS.

Fire Safety

Tests show that the pyrotechnic components of RMS™ hobby reload delay kits will not explode in fires and normally will not ignite unless subjected to direct flame and then will burn slowly. Use water to fight any fires in which AeroTech/RCS RMS™ hobby reload delay kit pyrotechnic components may become involved: Direct the water at the AeroTech/RCS RMS™ hobby reload delay kit pyrotechnic components to keep them below their 550 deg. F autoignition temperature. Foam and carbon dioxide fire extinguishers will NOT extinguish burning propellants of the type used in RMS™ hobby reload delay kit pyrotechnic components. Keep hobby reload delay kit pyrotechnic components away from flames, sources of heat and flammable materials.

Disclaimer and Warranty

NOTICE: Since we cannot control the storage and use of our products, once sold we cannot assume any responsibility for product storage, transportation or usage. RCS shall not be held responsible for any personal injury or property damage resulting from the handling, storage or use of our product. The buyer assumes all risks and liabilities therefrom and accepts and uses AeroTech/RCS products on these conditions. No warranty either expressed or implied is made regarding AeroTech products, except for replacement or repair, at RCS's option, of those products which are proven to be defective in manufacture within one year from the date of original purchase. For repair or replacement under this warranty, please contact RCS. Proof of purchase will be required. Note: Your state may provide additional rights not covered by this warranty.

AeroTech Division
RCS Rocket Motor Components, Inc.
Cedar City, UT 84720
www.aerotech-rocketry.com

P/N 20403 Rev. 4/19/07
Made in U.S.A.
©2007 RCS Rocket Motor Components, Inc.
All rights reserved



Product no. 43504

18MM RMS™ HOBBY RELOAD DELAY KIT (HDK™)

HDK Type: HDK-04

For Use With The Following RMS™ Reload Kit(s):

D24-10T

This HDK Contains The Following Parts:

Part No.	Description	Qty.
03208	HDK delay element (0.469" long solid part)	3
00013	Delay spacer (0.062" thick o-ring)	3

NOTE: The delay o-ring, delay insulator and other parts mentioned in the HDK instructions are supplied in your RMS™ reload kit. RMS Hardware not included.

NOTE: SALE TO PERSONS UNDER 18 YEARS OF AGE PROHIBITED BY FEDERAL LAW. WARNING-FLAMMABLE: Read Instructions Before Use. KEEP OUT OF REACH OF CHILDREN. DO NOT SMOKE when loading RMS motors or use in the vicinity of open flames.

First Aid

For a minor burn, apply a burn ointment. For a severe burn, immerse the burned area in ice water at once and see a physician as quickly as possible. In the unlikely event of oral ingestion of the propellant, induce vomiting and see a physician as quickly as possible. The AeroTech/RCS hobby reload delay kit pyrotechnic components consists primarily of ammonium perchlorate and a rubber-like plastic elastomer.

Disposal

Damaged or defective hobby reload delay kits should be returned to RCS.

Fire Safety

Tests show that the pyrotechnic components of RMS™ hobby reload delay kits will not explode in fires and normally will not ignite unless subjected to direct flame and then will burn slowly. Use water to fight any fires in which AeroTech/RCS RMS™ hobby reload delay kit pyrotechnic components may become involved: Direct the water at the AeroTech/RCS RMS™ hobby reload delay kit pyrotechnic components to keep them below their 550 deg. F autoignition temperature. Foam and carbon dioxide fire extinguishers will NOT extinguish burning propellants of the type used in RMS™ hobby reload delay kit pyrotechnic components. Keep hobby reload delay kit pyrotechnic components away from flames, sources of heat and flammable materials.

Disclaimer and Warranty

NOTICE: Since we cannot control the storage and use of our products, once sold we cannot assume any responsibility for product storage, transportation or usage. RCS shall not be held responsible for any personal injury or property damage resulting from the handling, storage or use of our product. The buyer assumes all risks and liabilities therefrom and accepts and uses AeroTech/RCS products on these conditions. No warranty either expressed or implied is made regarding AeroTech products, except for replacement or repair, at RCS's option, of those products which are proven to be defective in manufacture within one year from the date of original purchase. For repair or replacement under this warranty, please contact RCS. Proof of purchase will be required. Note: Your state may provide additional rights not covered by this warranty.

AeroTech Division
RCS Rocket Motor Components, Inc.
Cedar City, UT 84720
www.aerotech-rocketry.com

P/N 20404 Rev. 4/19/07
Made in U.S.A.
©2007 RCS Rocket Motor Components, Inc.
All rights reserved



0 94433 43505 8
Product no. 43505

18MM RMS™ HOBBY RELOAD DELAY KIT (HDK™)

HDK Type: HDK-05

For Use With The Following RMS™ Reload Kit(s):

D13-7W

This HDK Contains The Following Parts:

Part No.	Description	Qty.
03209	HDK delay element (0.500" long solid part, no spacer)	3

NOTE: The delay o-ring, delay insulator and other parts mentioned in the HDK instructions are supplied in your RMS™ reload kit. RMS Hardware not included.

NOTE: SALE TO PERSONS UNDER 18 YEARS OF AGE PROHIBITED BY FEDERAL LAW. WARNING-FLAMMABLE: Read Instructions Before Use. KEEP OUT OF REACH OF CHILDREN. DO NOT SMOKE when loading RMS motors or use in the vicinity of open flames.

First Aid

For a minor burn, apply a burn ointment. For a severe burn, immerse the burned area in ice water at once and see a physician as quickly as possible. In the unlikely event of oral ingestion of the propellant, induce vomiting and see a physician as quickly as possible. The AeroTech/RCS hobby reload delay kit pyrotechnic components consists primarily of ammonium perchlorate and a rubber-like plastic elastomer.

Disposal

Damaged or defective hobby reload delay kits should be returned to RCS.

Fire Safety

Tests show that the pyrotechnic components of RMS™ hobby reload delay kits will not explode in fires and normally will not ignite unless subjected to direct flame and then will burn slowly. Use water to fight any fires in which AeroTech/RCS RMS™ hobby reload delay kit pyrotechnic components may become involved: Direct the water at the AeroTech/RCS RMS™ hobby reload delay kit pyrotechnic components to keep them below their 550 deg. F autoignition temperature. Foam and carbon dioxide fire extinguishers will NOT extinguish burning propellants of the type used in RMS™ hobby reload delay kit pyrotechnic components. Keep hobby reload delay kit pyrotechnic components away from flames, sources of heat and flammable materials.

Disclaimer and Warranty

NOTICE: Since we cannot control the storage and use of our products, once sold we cannot assume any responsibility for product storage, transportation or usage. RCS shall not be held responsible for any personal injury or property damage resulting from the handling, storage or use of our product. The buyer assumes all risks and liabilities therefrom and accepts and uses AeroTech/RCS products on these conditions. No warranty either expressed or implied is made regarding AeroTech products, except for replacement or repair, at RCS's option, of those products which are proven to be defective in manufacture within one year from the date of original purchase. For repair or replacement under this warranty, please contact RCS. Proof of purchase will be required. Note: Your state may provide additional rights not covered by this warranty.

AeroTech Division
RCS Rocket Motor Components, Inc.
Cedar City, UT 84720
www.aerotech-rocketry.com

P/N 20404 Rev. 4/19/07
Made in U.S.A.
©2007 RCS Rocket Motor Components, Inc.
All rights reserved



0 94433 43505 8
Product no. 43505

18MM RMS™ HOBBY RELOAD DELAY KIT (HDK™)

HDK Type: HDK-05

For Use With The Following RMS™ Reload Kit(s):

D13-7W

This HDK Contains The Following Parts:

Part No.	Description	Qty.
03209	HDK delay element (0.500" long solid part, no spacer)	3

NOTE: The delay o-ring, delay insulator and other parts mentioned in the HDK instructions are supplied in your RMS™ reload kit. RMS Hardware not included.

NOTE: SALE TO PERSONS UNDER 18 YEARS OF AGE PROHIBITED BY FEDERAL LAW. WARNING-FLAMMABLE: Read Instructions Before Use. KEEP OUT OF REACH OF CHILDREN. DO NOT SMOKE when loading RMS motors or use in the vicinity of open flames.

First Aid

For a minor burn, apply a burn ointment. For a severe burn, immerse the burned area in ice water at once and see a physician as quickly as possible. In the unlikely event of oral ingestion of the propellant, induce vomiting and see a physician as quickly as possible. The AeroTech/RCS hobby reload delay kit pyrotechnic components consists primarily of ammonium perchlorate and a rubber-like plastic elastomer.

Disposal

Damaged or defective hobby reload delay kits should be returned to RCS.

Fire Safety

Tests show that the pyrotechnic components of RMS™ hobby reload delay kits will not explode in fires and normally will not ignite unless subjected to direct flame and then will burn slowly. Use water to fight any fires in which AeroTech/RCS RMS™ hobby reload delay kit pyrotechnic components may become involved: Direct the water at the AeroTech/RCS RMS™ hobby reload delay kit pyrotechnic components to keep them below their 550 deg. F autoignition temperature. Foam and carbon dioxide fire extinguishers will NOT extinguish burning propellants of the type used in RMS™ hobby reload delay kit pyrotechnic components. Keep hobby reload delay kit pyrotechnic components away from flames, sources of heat and flammable materials.

Disclaimer and Warranty

NOTICE: Since we cannot control the storage and use of our products, once sold we cannot assume any responsibility for product storage, transportation or usage. RCS shall not be held responsible for any personal injury or property damage resulting from the handling, storage or use of our product. The buyer assumes all risks and liabilities therefrom and accepts and uses AeroTech/RCS products on these conditions. No warranty either expressed or implied is made regarding AeroTech products, except for replacement or repair, at RCS's option, of those products which are proven to be defective in manufacture within one year from the date of original purchase. For repair or replacement under this warranty, please contact RCS. Proof of purchase will be required. Note: Your state may provide additional rights not covered by this warranty.

AeroTech Division
RCS Rocket Motor Components, Inc.
Cedar City, UT 84720
www.aerotech-rocketry.com

P/N 20405 Rev. 4/19/07
Made in U.S.A.
©2007 RCS Rocket Motor Components, Inc.
All rights reserved

First Aid

For a minor burn, apply a burn ointment. For a severe burn, immerse the burned area in ice water at once and see a physician as quickly as possible. In the unlikely event of oral ingestion of the propellant, induce vomiting and see a physician as quickly as possible. The AeroTech/RCS hobby reload delay kit pyrotechnic components consists primarily of ammonium perchlorate and a rubber-like plastic elastomer.

Disposal

Damaged or defective hobby reload delay kits should be returned to RCS.

Fire Safety

Tests show that the pyrotechnic components of RMS™ hobby reload delay kits will not explode in fires and normally will not ignite unless subjected to direct flame and then will burn slowly. Use water to fight any fires in which AeroTech/RCS RMS™ hobby reload delay kit pyrotechnic components may become involved: Direct the water at the AeroTech/RCS RMS™ hobby reload delay kit pyrotechnic components to keep them below their 550 deg. F autoignition temperature. Foam and carbon dioxide fire extinguishers will NOT extinguish burning propellants of the type used in RMS™ hobby reload delay kit pyrotechnic components. Keep hobby reload delay kit pyrotechnic components away from flames, sources of heat and flammable materials.

Disclaimer and Warranty

NOTICE: Since we cannot control the storage and use of our products, once sold we cannot assume any responsibility for product storage, transportation or usage. RCS shall not be held responsible for any personal injury or property damage resulting from the handling, storage or use of our product. The buyer assumes all risks and liabilities therefrom and accepts and uses AeroTech/RCS products on these conditions. No warranty either expressed or implied is made regarding AeroTech products, except for replacement or repair, at RCS's option, of those products which are proven to be defective in manufacture within one year from the date of original purchase. For repair or replacement under this warranty, please contact RCS. Proof of purchase will be required. Note: Your state may provide additional rights not covered by this warranty.

AeroTech Division
RCS Rocket Motor Components, Inc.
Cedar City, UT 84720
www.aerotech-rocketry.com

P/N 20405 Rev. 4/19/07
Made in U.S.A.
©2007 RCS Rocket Motor Components, Inc.
All rights reserved



0 94433 43506 5
Product no. 43506

18MM RMS™ HOBBY RELOAD DELAY KIT (HDK™)

HDK Type: HDK-06

For Use With The Following RMS™ Reload Kit(s):

D13-10W

This HDK Contains The Following Parts:

Part No.	Description	Qty.
03222	HDK "slow" delay element (0.500" long solid part, no spacer)	3

NOTE: The delay o-ring, delay insulator and other parts mentioned in the HDK instructions are supplied in your RMS™ reload kit. RMS Hardware not included.

NOTE: SALE TO PERSONS UNDER 18 YEARS OF AGE PROHIBITED BY FEDERAL LAW. WARNING-FLAMMABLE: Read Instructions Before Use. KEEP OUT OF REACH OF CHILDREN. DO NOT SMOKE when loading RMS motors or use in the vicinity of open flames.



0 94433 43506 5
Product no. 43506

18MM RMS™ HOBBY RELOAD DELAY KIT (HDK™)

HDK Type: HDK-06

For Use With The Following RMS™ Reload Kit(s):

D13-10W

This HDK Contains The Following Parts:

Part No.	Description	Qty.
03222	HDK "slow" delay element (0.500" long solid part, no spacer)	3

NOTE: The delay o-ring, delay insulator and other parts mentioned in the HDK instructions are supplied in your RMS™ reload kit. RMS Hardware not included.

NOTE: SALE TO PERSONS UNDER 18 YEARS OF AGE PROHIBITED BY FEDERAL LAW. WARNING-FLAMMABLE: Read Instructions Before Use. KEEP OUT OF REACH OF CHILDREN. DO NOT SMOKE when loading RMS motors or use in the vicinity of open flames.