

8

7

6

5

4

3

2

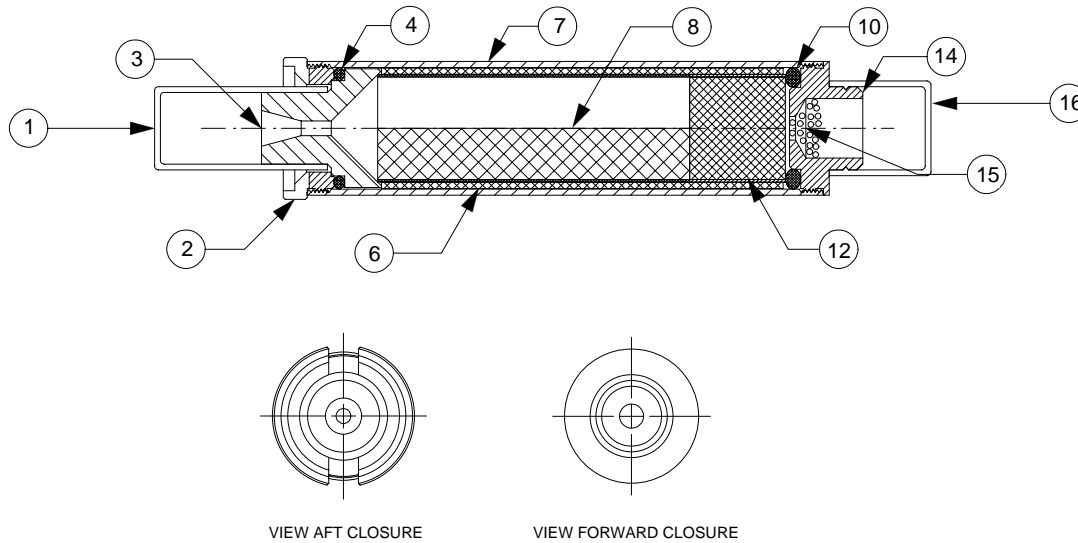
1

REVISIONS

EFFECTIVITY	REV	DESCRIPTION	DATE	APPROVED
FUTURE	A	FIRST RELEASE ISSUE	12 / 3 / 99	

NOTES:

1. MOTOR ASSEMBLY SHOWN WITH SPECIFIED MOTOR HARDWARE & RELOAD KIT.



1	04716	EJECTION CHARGE CAP (7/16" I.D.)	16
1	03700	EJECTION CHARGE (.4 GRAMS)	15
1	910043E	FORWARD CLOSURE	14
NA		DELAY INSULATOR	13
1	03222	DELAY GRAIN (.562" O.D. X .500) SLOW	12
NA		DELAY SPACER	11
1	00111	FORWARD O-RING (5/8" O.D. X 3/32") 111	10
NA		FORWARD INSULATOR	9
1	03481	PROPELLANT GRAINS (.562" O.D. X 1.625")	8
1	910041B	CASE	7
1	02000	LINER (.629" O.D. X 2.093")	6
NA		AFT INSULATOR	5
1	00014	AFT O-RING (5/8" O.D. X 1/16") 014	4
1	01000-1	NOZZLE (D8) DRILLED .077	3
1	910042D	AFT CLOSURE	2
1	04380	NOZZLE CAP (3/8" I.D.)	1
QTY	PART NUMBER	DESCRIPTION	ITEM

SUPPLIER DATA

RELOAD KIT IDENTIFICATION

UNLESS OTHERWISE SPECIFIED DIMENSIONS ARE IN INCHES

AEROTECH INC.

41310

D13-10W

.XX
+/- .010

.XXX
+/- .005

ANGLES
+/- 2 deg.

MATERIAL

NOTED

FINISH

PART NUMBER

DESCRIPTION

LIST OF MATERIAL

CONTRACT NUMBER



2113 W. 850 N. Street
Cedar City, Utah 84720
(435) 865-7100 (Ph)
(435) 865-7120 (Fax)

PREP B. ROSENFELD 7 / 99

CHKR

APVD

APVD

RMS-18/20 MOTOR WITH D13-10W RELOAD KIT

SIZE A NUMBER ASSY DWG

SCALE 1 / 1

SHEET 1 OF 1

8

7

6

5

4

3

2

1