

8

7

6

5

4

3

2

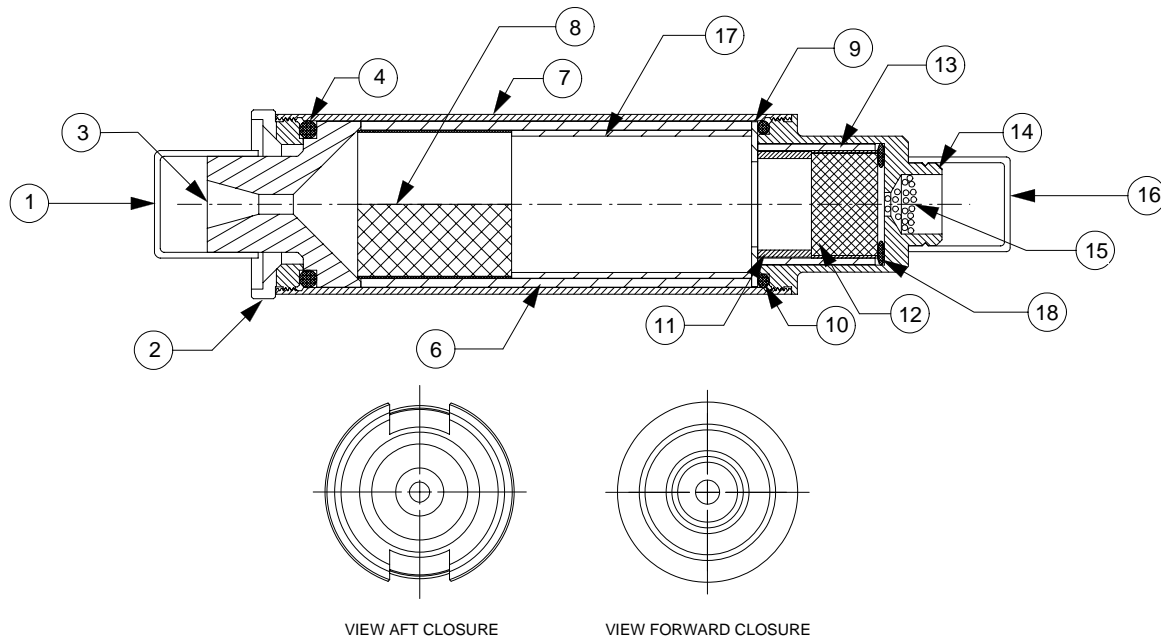
1

REVISIONS

EFFECTIVITY	REV	DESCRIPTION	DATE	APPROVED
FUTURE	A	FIRST RELEASE ISSUE	11 / 9 / 99	

NOTES:

1. MOTOR ASSEMBLY SHOWN WITH SPECIFIED MOTOR HARDWARE & RELOAD KIT.



1	00111	DELAY O-RING (5/8" O.D. X 3/32")	111	18
1	03100	GRAIN SPACER (.77" O.D. X 1.25")		17
1	04716	EJECTION CHARGE CAP (7/16" I.D.)		16
1	03700	EJECTION CHARGE (.5 GRAMS)		15
1	91243	FORWARD CLOSURE		14
1	03070	DELAY INSULATOR (.629" O.D. X .613)		13
1	03202	DELAY GRAIN (.562" O.D. X .344")		12
1	03057	DELAY SPACER (.553" O.D. X .282")		11
1	00018	FORWARD O-RING (7/8" O.D. X 1/16")	018	10
1	05400	FORWARD INSULATOR (.860" O.D. X .032)		9
1	03494	PROPELLANT GRAINS (.772" O.D. X .802")		8
1	910793A	CASE		7
1	02010	LINER (.862" O.D. X 2.03")		6
NA		AFT INSULATOR		5
1	00115	AFT O-RING (7/8" O.D. X 3/32")	115	4
1	01300	NOZZLE (E15/E28)		3
1	910791C	AFT CLOSURE		2
1	04120	NOZZLE CAP (1/2" I.D.)		1

QTY	PART NUMBER	DESCRIPTION	ITEM
LIST OF MATERIAL			
CONTRACT NUMBER		AEROTECH CONSUMER AEROSPACE 2113 W. 850 N. Street Cedar City, Utah 84720 (435) 865-7100 (Ph) (435) 865-7120 (Fax)	
PREP	B. ROSENFELD	7 / 99	RMS-24/40 MOTOR WITH D15-4T RELOAD KIT
CHKR			
APVD		SIZE	NUMBER
APVD		A	ASSY DWG
SCALE 1 / 1		SHEET 1 OF 1	

SUPPLIER DATA

AEROTECH INC.

RELOAD KIT IDENTIFICATION

41504

D15-4T

UNLESS OTHERWISE SPECIFIED
DIMENSIONS ARE IN INCHES.XX .XXX ANGLES
+/- .010 +/- .005 +/- 2 deg.

MATERIAL

NOTED

FINISH

PART NUMBER

DESCRIPTION

8

7

6

5

4

3

2

1