

8

7

6

5

4

3

2

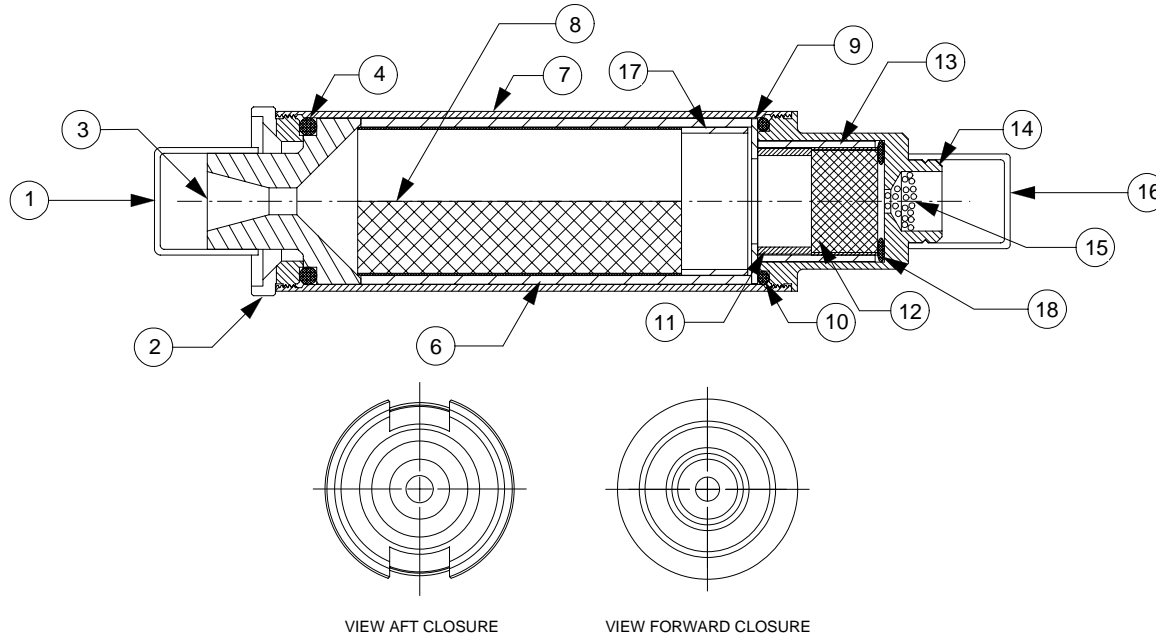
1

REVISIONS

EFFECTIVITY	REV	DESCRIPTION	DATE	APPROVED
FUTURE	A	FIRST RELEASE ISSUE	11 / 9 / 99	

NOTES:

1. MOTOR ASSEMBLY SHOWN WITH SPECIFIED MOTOR HARDWARE & RELOAD KIT.



1	00111	DELAY O-RING (5/8" O.D. X 3/32")	111	18
1	03101	GRAIN SPACER (.77" O.D. X .344")		17
1	04716	EJECTION CHARGE CAP (7/16" I.D.)		16
1	03700	EJECTION CHARGE (.5 GRAMS)		15
1	91243	FORWARD CLOSURE		14
1	03070	DELAY INSULATOR (.629" O.D. X .613)		13
1	03202	DELAY GRAIN (.562" O.D. X .344")		12
1	03057	DELAY SPACER (.553" O.D. X .282")		11
1	00018	FORWARD O-RING (7/8" O.D. X 1/16")	018	10
1	05400	FORWARD INSULATOR (.860" O.D. X .032)		9
1	03502	PROPELLANT GRAINS (.772" O.D. X 1.688")		8
1	910793A	CASE		7
1	02010	LINER (.862" O.D. X 2.03")		6
NA		AFT INSULATOR		5
1	00115	AFT O-RING (7/8" O.D. X 3/32")	115	4
1	01350	NOZZLE (E30/E50)		3
1	910791C	AFT CLOSURE		2
1	04120	NOZZLE CAP (1/2" I.D.)		1

SUPPLIER DATA		RELOAD KIT IDENTIFICATION		UNLESS OTHERWISE SPECIFIED DIMENSIONS ARE IN INCHES		
AEROTECH INC.		52804	E28-4T	.XX +/- .010	.XXX +/- .005	ANGLES +/- 2 deg.
				MATERIAL		
				NOTED		
				FINISH		
		PART NUMBER	DESCRIPTION			

LIST OF MATERIAL		CONTRACT NUMBER	
PREP	B. ROSENFELD	7 / 99	
CHKR			
APVD			
APVD			

AEROTECH
 CONSUMER AEROSPACE
 2113 W. 850 N. Street
 Cedar City, Utah 84720
 (435) 865-7100 (Ph)
 (435) 865-7120 (Fax)

RMS-24/40 MOTOR WITH E28-4T RELOAD KIT
 SIZE **A** NUMBER **ASSY DWG**

SCALE 1 / 1 SHEET 1 OF 1

8

7

6

5

4

3

2

1