

8

7

6

5

4

3

2

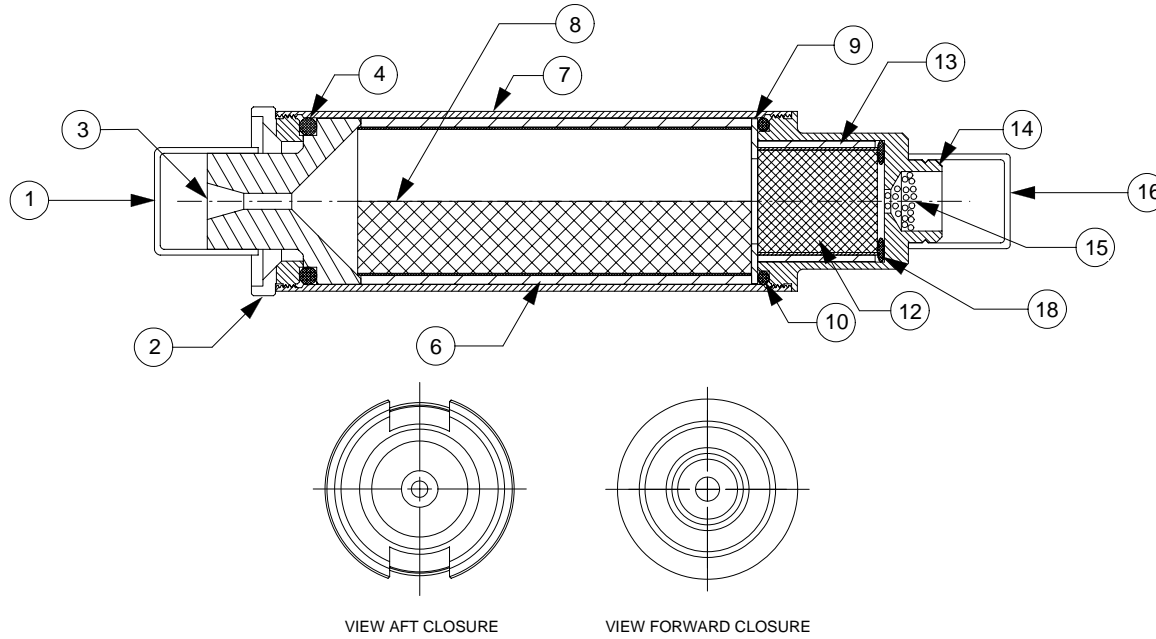
1

REVISIONS

EFFECTIVITY	REV	DESCRIPTION	DATE	APPROVED
FUTURE	A	FIRST RELEASE ISSUE	11 / 9 / 99	

NOTES:

1. MOTOR ASSEMBLY SHOWN WITH SPECIFIED MOTOR HARDWARE & RELOAD KIT.



1	00111	DELAY O-RING (5/8" O.D. X 3/32")	111	18
NA		GRAIN SPACER		17
1	04716	EJECTION CHARGE CAP (7/16" I.D.)		16
1	03700	EJECTION CHARGE (.5 GRAMS)		15
1	91243	FORWARD CLOSURE		14
1	03070	DELAY INSULATOR (.629" O.D. X .613)		13
1	03213	DELAY GRAIN (.562" O.D. X .625")		12
NA		DELAY SPACER		11
1	00018	FORWARD O-RING (7/8" O.D. X 1/16")	018	10
1	05400	FORWARD INSULATOR (.860" O.D. X .032)		9
1	03508-3	PROPELLANT GRAINS (.772" O.D. X 2.051")		8
1	910793A	CASE		7
1	02010	LINER (.862" O.D. X 2.03")		6
NA		AFT INSULATOR		5
1	00115	AFT O-RING (7/8" O.D. X 3/32")	115	4
1	01250	NOZZLE (E6/E15)		3
1	910791C	AFT CLOSURE		2
1	04120	NOZZLE CAP (1/2" I.D.)		1
QTY	PART NUMBER	DESCRIPTION		ITEM

LIST OF MATERIAL

CONTRACT NUMBER

AEROTECH
CONSUMER AEROSPACE
2113 W. 850 N. Street
Cedar City, Utah 84720
(435) 865-7100 (Ph)
(435) 865-7120 (Fax)

PREP B. ROSENFELD 7 / 99

**RMS-24/40 MOTOR WITH F12-3J
RELOAD KIT**

CHKR

SIZE

NUMBER

APVD

APVD

A

ASSY DWG

SCALE 1 / 1

SHEET 1 OF 1

SUPPLIER DATA

AEROTECH INC.

RELOAD KIT IDENTIFICATION

61203

F12-3J

UNLESS OTHERWISE SPECIFIED
DIMENSIONS ARE IN INCHES

.XX +/- .010	.XXX +/- .005	ANGLES +/- 2 deg.
-----------------	------------------	----------------------

MATERIAL

NOTED

FINISH

PART NUMBER

DESCRIPTION

8

7

6

5

4

3

2

1