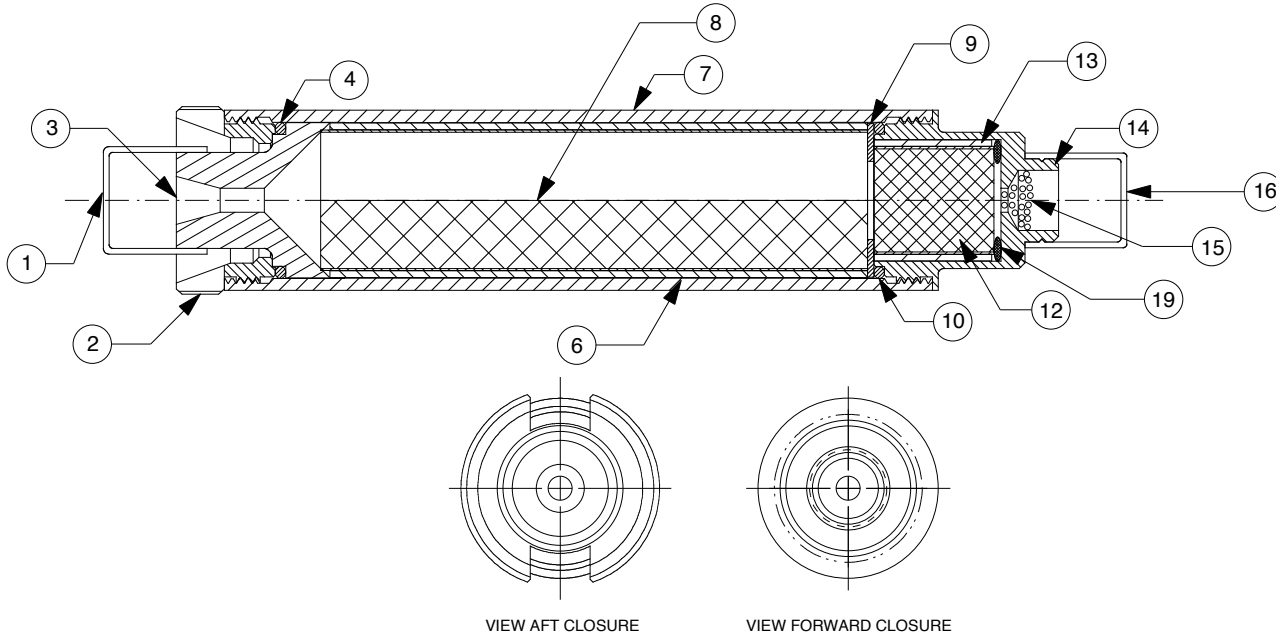


**NOTES:**

1. MOTOR ASSEMBLY SHOWN WITH SPECIFIED MOTOR HARDWARE & RELOAD KIT.

REVISIONS				
EFFECTIVITY	REV	DESCRIPTION	DATE	APPROVED
FUTURE	A	FIRST RELEASE ISSUE	7/1/08	



1	00111	DELAY O-RING (5/8" O.D. X 3/32") 111	19
			18
			17
1	04716	EJECTION CHARGE CAP (7/16" I.D.)	16
1	03700	EJECTION CHARGE (.5 GRAMS)	15
1	91247	FWD CLOSURE, 24MM EXTENDED CASE	14
1	03070	DELAY INSULATOR (.629" O.D. X .613)	13
1	03213	DELAY GRAIN (.562" O.D. X .625") REGULAR	12
N/A		DELAY SPACER	11
1	00017	FORWARD O-RING (13/16" O.D. X 1/16") 017	10
1	05405	FORWARD INSULATOR (.800" O.D. X .032")	9
1	03486	PROPELLANT GRAIN (.732" O.D. X 2.849")	8
1	91245	CASE, 24/60 EXTENDED, THICKER WALL	7
1	02013	24/60 LINER (.805" O.D. X .735" I.D. X 2.801")	6
			5
1	00017	AFT O-RING (13/16" O.D. X 1/16") 017	4
1	01150-2	NOZZLE (E15/E28) DRILLED .125"	3
1	91246	AFT CLOSURE, 24MM EXTENDED CASE	2
1	04120	NOZZLE CAP (1/2" I.D.)	1

SUPPLIER DATA		RELOAD KIT IDENTIFICATION		UNLESS OTHERWISE SPECIFIED DIMENSIONS ARE IN INCHES		
AEROTECH DIV RCS RMC INC	63511	F35-11W		.XX +/- .010	.XXX +/- .005	ANGLES +/- 2 deg.
				MATERIAL		
				NOTED		
				FINISH		
		<b>PART NUMBER</b>	<b>DESCRIPTION</b>			

LIST OF MATERIAL			
CONTRACT NUMBER			
PREP	G. ROSENFIELD	7/08	2113 W. 850 N. Street Cedar City, Utah 84720 (435) 865-7100 (Ph) (435) 865-7120 (Fax)
CHKR			
APVD		SIZE	NUMBER
APVD		A	ASSY DWG
		SCALE	1/1
			SHEET 1 OF 1

8

7

6

5

4

3

2

1