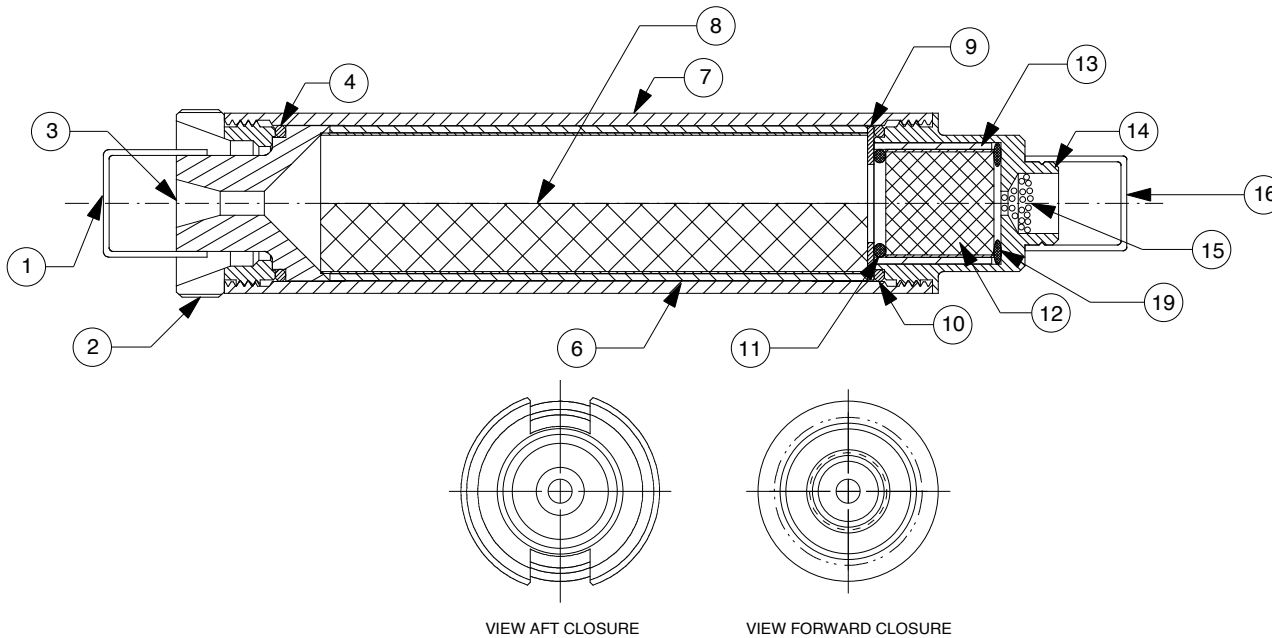


NOTES:

1. MOTOR ASSEMBLY SHOWN WITH SPECIFIED MOTOR HARDWARE & RELOAD KIT.

REVISIONS

EFFECTIVITY	REV	DESCRIPTION	DATE	APPROVED
FUTURE	A	FIRST RELEASE ISSUE	7 / 21 / 08	



QTY	PART NUMBER	DESCRIPTION	ITEM
1	00111	DELAY O-RING (5/8" O.D. X 3/32") 111	19
			18
			17
1	04716	EJECTION CHARGE CAP (7/16" I.D.)	16
1	03700	EJECTION CHARGE (.5 GRAMS)	15
1	91247	FWD CLOSURE, 24MM EXTENDED CASE	14
1	03070	DELAY INSULATOR (.629" O.D. X .613)	13
1	03212	DELAY GRAIN (.562" O.D. X .563") REGULAR	12
1	00013	DELAY SPACER (9/16" DIA. X .062") O-RING	11
1	00017	FORWARD O-RING (13/16" O.D. X 1/16") 017	10
1	05405	FORWARD INSULATOR (.800" O.D. X .032")	9
1	03486	PROPELLANT GRAIN (.732" O.D. X 2.849")	8
1	91245	CASE, 24/60 EXTENDED, THICKER WALL	7
1	02013	24/60 LINER (.805" O.D. X .735" I.D. X 2.801")	6
			5
1	00017	AFT O-RING (13/16" O.D. X 1/16") 017	4
1	01150-2	NOZZLE (E15/E28) DRILLED .125"	3
1	91246	AFT CLOSURE, 24MM EXTENDED CASE	2
1	04120	NOZZLE CAP (1/2" I.D.)	1

SUPPLIER DATA		RELOAD KIT IDENTIFICATION	
AEROTECH DIV RCS RMC INC	63508	F35-8W	
UNLESS OTHERWISE SPECIFIED DIMENSIONS ARE IN INCHES			
		.XX +/- .010	.XXX +/- .005
		ANGLES +/- 2 deg.	
		MATERIAL	
		NOTED	
		FINISH	
	PART NUMBER	DESCRIPTION	

LIST OF MATERIAL			
CONTRACT NUMBER		2113 W. 850 N. Street Cedar City, Utah 84720 (435) 865-7100 (Ph) (435) 865-7120 (Fax)	
PREP	G. ROSENFELD		
CHKR			RMS-24/60 MOTOR WITH F35-8W RELOAD KIT
APVD		SIZE A	NUMBER ASSY DWG
APVD		SCALE 1 / 1	SHEET 1 OF 1