

8

7

6

5

4

3

2

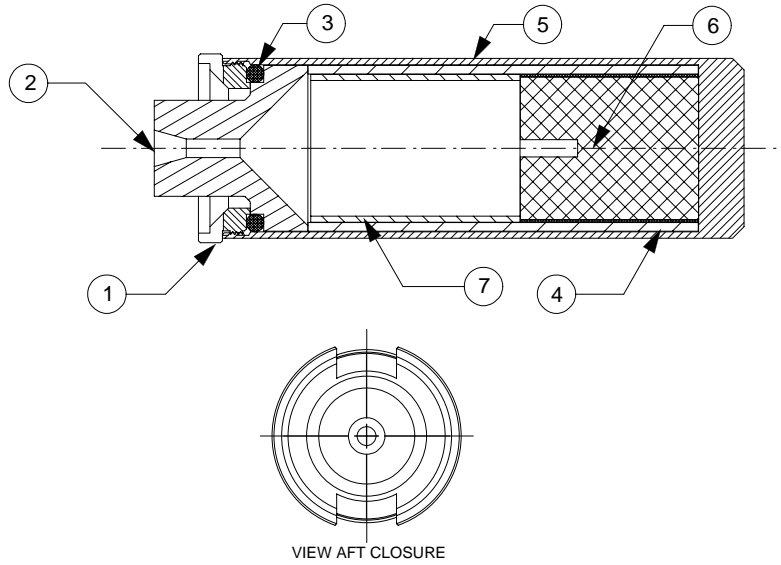
1

REVISIONS

NOTES:

1. MOTOR ASSEMBLY SHOWN WITH SPECIFIED MOTOR HARDWARE & RELOAD KIT.

EFFECTIVITY	REV	DESCRIPTION	DATE	APPROVED
FUTURE	A	FIRST RELEASE ISSUE	2 / 15 / 00	



QTY	PART NUMBER	DESCRIPTION	ITEM
1	03102	GRAIN SPACER TUBE (.77" O.D. X 1.090)	8
1	03495	PROPELLANT GRAINS (.772 O.D. X .938")	7
1	021296-01	CASE	6
1	02010	LINER (.865" O.D. X 2.03")	5
1	00115	AFT O-RING (7/8" O.D. X 3/32") 115	4
1	01250-1	NOZZLE (E6/E15) DRILLED .099"	3
1	910791C	AFT CLOSURE	2

SUPPLIER DATA		RELOAD KIT IDENTIFICATION		UNLESS OTHERWISE SPECIFIED DIMENSIONS ARE IN INCHES			LIST OF MATERIAL	
AEROTECH INC.		40700	D7-RCT	.XX +/- .010	.XXX +/- .005	ANGLES +/- 2 deg.	CONTRACT NUMBER AEROTECH CONSUMER AEROSPACE 2113 W. 850 N. Street Cedar City, Utah 84720 (435) 865-7100 (Ph) (435) 865-7120 (Fax)	
				MATERIAL	PREP B. ROSENFELD 7 / 99			
				NOTED	CHKR			
				FINISH	APVD			
PART NUMBER		DESCRIPTION			SIZE A NUMBER		RMS-RC 24/20 MOTOR WITH D7-RCT RELOAD KIT	
					SCALE 1 / 1		ASSY DWG	
					SHEET 1 OF 1			

8

7

6

5

4

3

2

1