

8

7

6

5

4

3

2

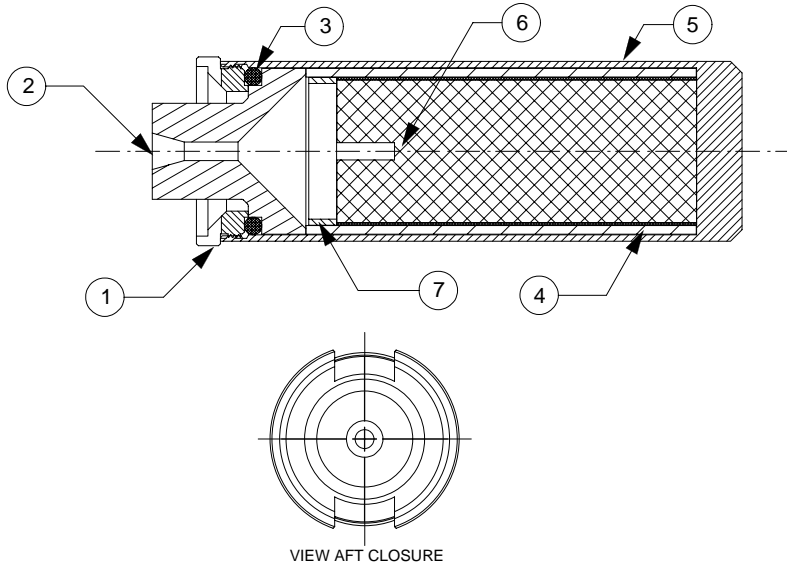
1

REVISIONS

EFFECTIVITY	REV	DESCRIPTION	DATE	APPROVED
FUTURE	A	FIRST RELEASE ISSUE	2 / 15 / 00	

NOTES:

- MOTOR ASSEMBLY SHOWN WITH SPECIFIED MOTOR HARDWARE & RELOAD KIT.



QTY	PART NUMBER	DESCRIPTION	ITEM
1	03103	GRAIN SPACER TUBE (.77" O.D. X .146)	8
1	03504	PROPELLANT GRAINS (.772 O.D. X 1.875")	7
1	021296-01	CASE	6
1	02010	LINER (.865" O.D. X 2.03")	5
1	00115	AFT O-RING (7/8" O.D. X 3/32") 115	4
1	01250-1	NOZZLE (E6/E15) DRILLED .099"	3
1	910791C	AFT CLOSURE	2

SUPPLIER DATA		RELOAD KIT IDENTIFICATION		UNLESS OTHERWISE SPECIFIED DIMENSIONS ARE IN INCHES		
AEROTECH INC.	50600	E6-RCT		.XX +/- .010	.XXX +/- .005	ANGLES +/- 2 deg.
PART NUMBER	DESCRIPTION					

LIST OF MATERIAL

CONTRACT NUMBER

AEROTECH
CONSUMER AEROSPACE

2113 W. 850 N. Street
Cedar City, Utah 84720
(435) 865-7100 (Ph)
(435) 865-7120 (Fax)

PREP B. ROSENFELD 7 / 99

CHKR

APVD

APVD

SIZE **A** NUMBER **ASSY DWG**

SCALE 1 / 1 SHEET 1 OF 1

8

7

6

5

4

3

2

1