

8

7

6

5

4

3

2

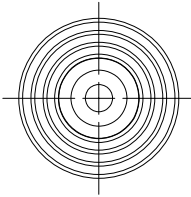
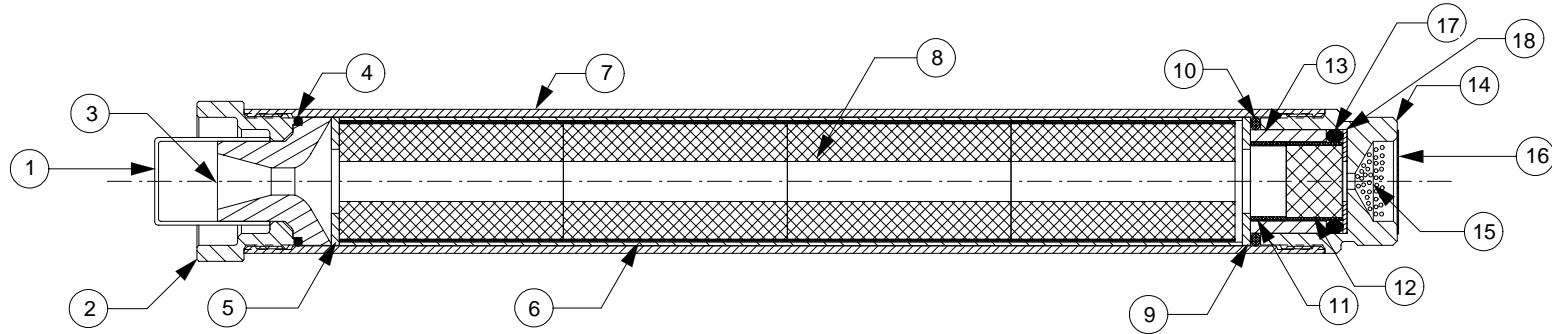
1

### REVISIONS

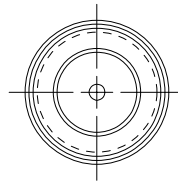
| EFFECTIVITY | REV | DESCRIPTION                       | DATE         | APPROVED |
|-------------|-----|-----------------------------------|--------------|----------|
| FUTURE      | A   | FIRST RELEASE ISSUE               | 11 / 11 / 99 |          |
| FUTURE      | B   | RMS-PLUS™ DELAY SYSTEM (SEE E.O.) | 3 / 3 / 00   |          |

#### NOTES:

- MOTOR ASSEMBLY SHOWN WITH SPECIFIED MOTOR HARDWARE & RELOAD KIT.



VIEW AFT CLOSURE



VIEW FORWARD CLOSURE

|   |         |                                            |    |
|---|---------|--------------------------------------------|----|
| 1 | 03350   | FWD DELAY SPACER (13/16" O.D. X .031")     | 18 |
| 1 | 00001   | DELAY O-RING (15MM I.D. X 3MM THICK)       | 17 |
| 1 | 05602   | EJECTION CHARGE CAP (13/16")               | 16 |
| 1 | 03700   | EJECTION CHARGE (FILLS WELL 3/4 FULL)      | 15 |
| 1 | 29FCC   | FORWARD CLOSURE                            | 14 |
| 1 | 03300   | DELAY INSULATOR (.807" O.D. X .594")       | 13 |
| 1 | 03361   | DELAY GRAIN (.610" O.D. X .438")           | 12 |
| 1 | 03321   | AFT DELAY SPACER (.615" O.D. X .281")      | 11 |
| 1 | 00117   | FORWARD O-RING (1" O.D. X 3/32")           | 10 |
| 1 | 05402   | FORWARD INSULATOR(1"O.D.X.5" I.D.X1/16")   | 9  |
| 4 | 03541   | PROPELLANT GRAINS (.933" O.D. X 1.750")    | 8  |
| 1 | 2924C   | CASE                                       | 7  |
| 1 | 02040   | LINER (1.00" O.D. X 7.058")                | 6  |
| 1 | 05402   | AFT INSULATOR (1" O.D. X .5" I.D. X 1/16") | 5  |
| 1 | 00020   | AFT O-RING (1" O.D. X 1/16")               | 4  |
| 1 | 01500-3 | NOZZLE (F60/G80) DRILLED .213"             | 3  |
| 1 | 29ACC   | AFT CLOSURE                                | 2  |
| 1 | 04580   | NOZZLE CAP (5/8" I.D.)                     | 1  |

| QTY              | PART NUMBER  | DESCRIPTION                                                                                                                             | ITEM                   |
|------------------|--------------|-----------------------------------------------------------------------------------------------------------------------------------------|------------------------|
| LIST OF MATERIAL |              |                                                                                                                                         |                        |
| CONTRACT NUMBER  |              | <b>AEROTECH</b><br>CONSUMER AEROSPACE<br>2113 W. 850 N. Street<br>Cedar City, Utah 84720<br>(435) 865-7100 (Ph)<br>(435) 865-7120 (Fax) |                        |
| PREP             | B. ROSENFELD |                                                                                                                                         |                        |
| CHKR             |              |                                                                                                                                         |                        |
| APVD             |              | SIZE <b>A</b>                                                                                                                           | NUMBER <b>ASSY DWG</b> |
| APVD             |              | SCALE 1 / 1.5                                                                                                                           | SHEET 1 OF 1           |

| SUPPLIER DATA |  | RELOAD KIT IDENTIFICATION |                    | UNLESS OTHERWISE SPECIFIED DIMENSIONS ARE IN INCHES |                  |                      |
|---------------|--|---------------------------|--------------------|-----------------------------------------------------|------------------|----------------------|
| AEROTECH INC. |  | 08180S                    | H180W-S RMS-PLUS   | .XX<br>+/- .010                                     | .XXX<br>+/- .005 | ANGLES<br>+/- 2 deg. |
|               |  |                           |                    | MATERIAL                                            |                  |                      |
|               |  |                           |                    | NOTED                                               |                  |                      |
|               |  |                           |                    | FINISH                                              |                  |                      |
|               |  | <b>PART NUMBER</b>        | <b>DESCRIPTION</b> |                                                     |                  |                      |

8

7

6

5

4

3

2

1