

8

7

6

5

4

3

2

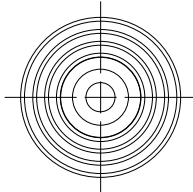
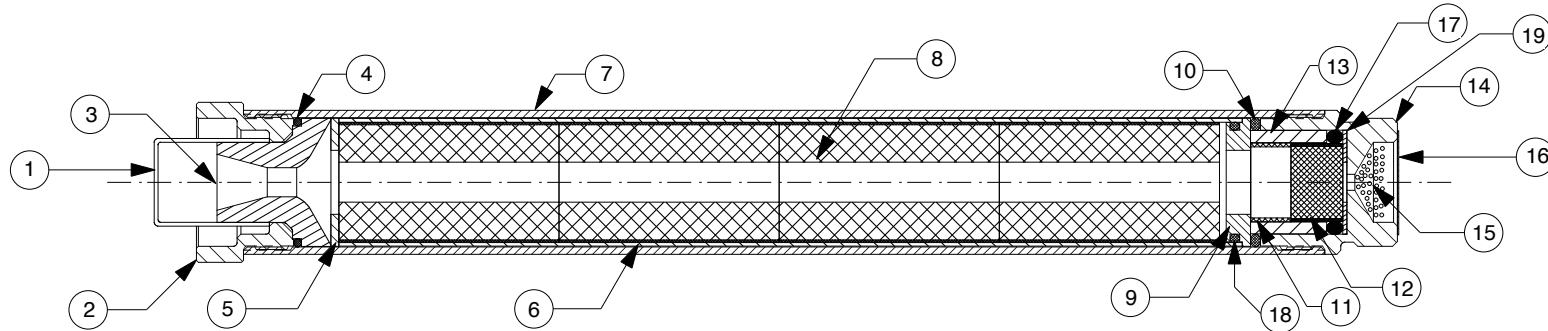
1

### REVISIONS

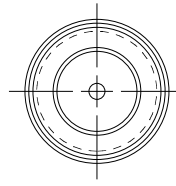
EFFECTIVITY	REV	DESCRIPTION	DATE	APPROVED
FUTURE	A	FIRST RELEASE ISSUE	9 / 7 / 07	

#### NOTES:

- MOTOR ASSEMBLY SHOWN WITH SPECIFIED MOTOR HARDWARE & RELOAD KIT.



VIEW AFT CLOSURE



VIEW FORWARD CLOSURE

1	03350	FWD DELAY SPACER (13/16" O.D. X .031")	19
1	00018	SEAL DISC O-RING (7/8" O.D. X 1/16") 018	18
1	00001	DELAY O-RING (15MM I.D. X 3MM THICK)	17
1	05602	EJECTION CHARGE CAP (13/16")	16
1	03700	EJECTION CHARGE (FILLS WELL 3/4 FULL)	15
1	29FCC	FORWARD CLOSURE	14
1	03300	DELAY INSULATOR (.807" O.D. X .594")	13
1	03360	DELAY GRAIN (.610" O.D. X .406")	12
1	03323	AFT DELAY SPACER (.615" O.D. X .312") PINK	11
1	00117	FORWARD O-RING (1" O.D. X 3/32") 117	10
1	29FSD	FORWARD SEAL DISC(1"O.D.X.5" I.D.X3/16")	9
4	03G014	PROPELLANT GRAINS (.933" O.D. X 1.72" X .313" CP)	8
1	2924C	CASE	7
1	02045-2	PHENOLIC LINER (.997" O.D. X 7.058")	6
1	05402	AFT INSULATOR (1" O.D. X .5" I.D. X 1/16")	5
1	00020	AFT O-RING (1" O.D. X 1/16") 020	4
1	01500-5	NOZZLE (F60/G80) DRILLED .228"	3
1	29ACC	AFT CLOSURE	2
1	04580	NOZZLE CAP (5/8" I.D.)	1

SUPPLIER DATA		RELOAD KIT IDENTIFICATION	
AEROTECH DIV. RCS RMC INC.	08250M	H250G-M RMS-PLUS	
UNLESS OTHERWISE SPECIFIED DIMENSIONS ARE IN INCHES			
	.XX +/- .010	.XXX +/- .005	ANGLES +/- 2 deg.
MATERIAL			
NOTED			
FINISH			
	PART NUMBER		DESCRIPTION

LIST OF MATERIAL			
QTY	PART NUMBER	DESCRIPTION	ITEM
CONTRACT NUMBER			
2113 W. 850 N. Street Cedar City, Utah 84720 (435) 865-7100 (Ph) (435) 865-7120 (Fax)			
PREP	G. ROSENFELD	9 / 07	<b>HP 29/240 MOTOR WITH H250G-M RMS-PLUS™ RELOAD KIT</b>
CHKR			
APVD		SIZE	NUMBER
APVD		<b>A</b>	<b>ASSY DWG</b>
SCALE 1 / 1.5			SHEET 1 OF 1

8

7

6

5

4

3

2

1