

8

7

6

5

4

3

2

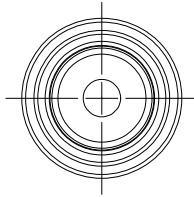
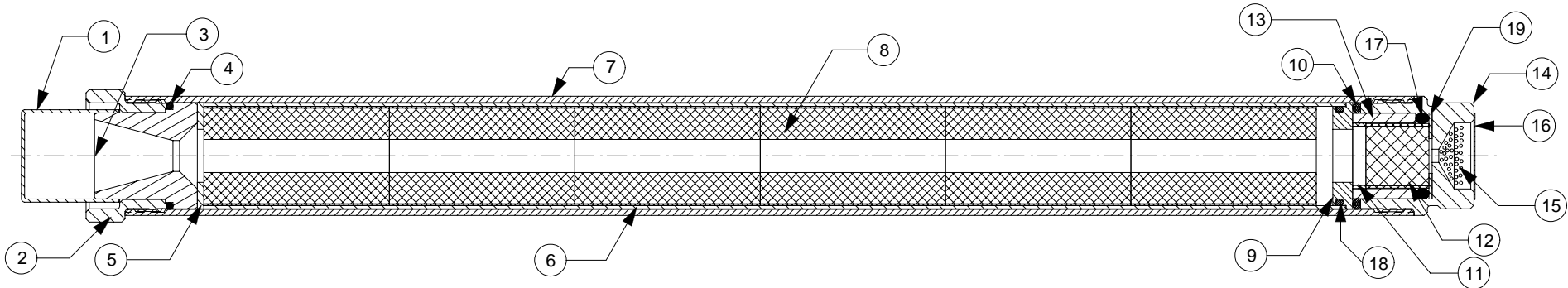
1

REVISIONS

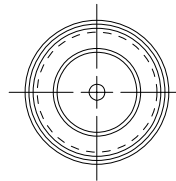
EFFECTIVITY	REV	DESCRIPTION	DATE	APPROVED
FUTURE	A	FIRST RELEASE ISSUE (REDLINE PROPELLANT)	09 / 28 / 01	

NOTES:

1. MOTOR ASSEMBLY SHOWN WITH SPECIFIED MOTOR HARDWARE & RELOAD KIT.



VIEW AFT CLOSURE



VIEW FORWARD CLOSURE

1	03350	FWD DELAY SPACER (13/16" O.D. X .031")	19
1	00018	SEAL DISC O-RING (7/8" O.D. X 1/16") 018	18
1	00001	DELAY O-RING (15MM I.D. X 3MM THICK)	17
1	05602	EJECTION CHARGE CAP	16
1	03700	EJECTION CHARGE (FILLS WELL 3/4 FULL)	15
1	29FCC	FORWARD CLOSURE	14
1	03300	DELAY INSULATOR (.807" O.D. X .594")	13
1	03369	DELAY GRAIN (.61" O.D. X .594")	12
1	03311	AFT DELAY SPACER (.615" X .125")	11
1	00117	FORWARD O-RING (1" O.D. X 3/32") 117	10
1	29FSD	FORWARD SEAL DISC(1"O.D.X.5" I.D.X3/16")	9
6	03541-5	PROPELLANT GRAINS (.933" O.D. X 1.75")	8
1	2936C	CASE	7
1	02045-5	PHENOLIC LINER (.997" O.D. X 10.780")	6
1	05402	AFT INSULATOR (1" O.D. X .5" I.D. X 1/16")	5
1	00020	AFT O-RING (1" O.D. X 1/16") 020	4
1	01550	NOZZLE (L2 NEW) UNDRILLED	3
1	29AC2	AFT CLOSURE (LARGE I.D.)	2
1	041316	NOZZLE CAP (13/16" I.D.)	1

QTY	PART NUMBER	DESCRIPTION	ITEM
LIST OF MATERIAL			
CONTRACT NUMBER		 2113 W. 850 N. Street Cedar City, Utah 84720 (435) 865-7100 (Ph) (435) 865-7120 (Fax)	
PREP	B. ROSENFELD	12 / 00	<b>HP 29/360 MOTOR WITH H268R            RELOAD KIT &amp; RDK-06PLUS (LONG)</b>  <b>ASSY DWG</b>
CHKR			
APVD			
APVD			
SCALE 1 / 1.5		SHEET 1 OF 1	

SUPPLIER DATA		RELOAD KIT IDENTIFICATION		UNLESS OTHERWISE SPECIFIED DIMENSIONS ARE IN INCHES		
AEROTECH INC.		08268	H268R	.XX	.XXX	ANGLES
		RDK-06PLUS	RELOAD DELAY KIT (LONG)	+/- .010	+/- .005	+/- 2 deg.
				MATERIAL		
				NOTED		
				FINISH		
		<b>PART NUMBER</b>	<b>DESCRIPTION</b>			

8

7

6

5

4

3

2

1