

8

7

6

5

4

3

2

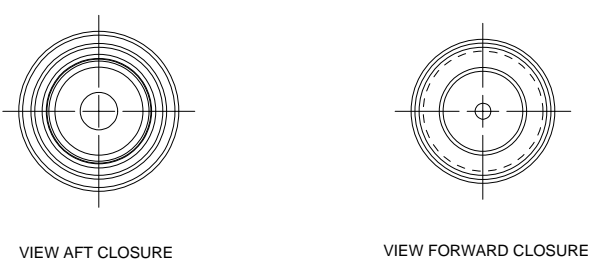
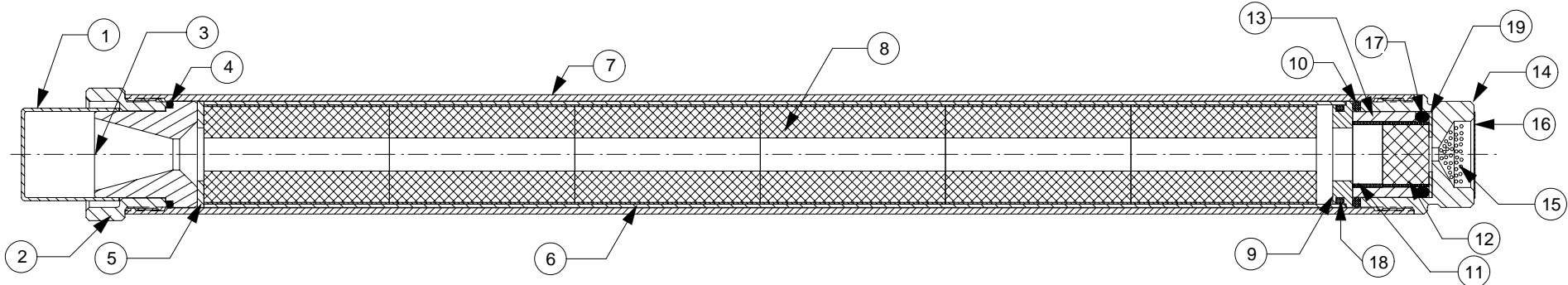
1

REVISIONS

EFFECTIVITY	REV	DESCRIPTION	DATE	APPROVED
FUTURE	A	FIRST RELEASE ISSUE (NOT CERTIFIED)	11 / 24 / 99	
FUTURE	B	RMS-PLUS™ DELAY SYSTEM (SEE E.O.)	3 / 1 / 00	

NOTES:

1. MOTOR ASSEMBLY SHOWN WITH SPECIFIED MOTOR HARDWARE & RELOAD KIT.



1	03350	FWD DELAY SPACER (13/16" O.D. X .031")	19
1	00018	SEAL DISC O-RING (7/8" O.D. X 1/16") 018	18
1	00001	DELAY O-RING (15MM I.D. X 3MM THICK)	17
1	05602	EJECTION CHARGE CAP	16
1	03700	EJECTION CHARGE (FILLS WELL 3/4 FULL)	15
1	29FCC	FORWARD CLOSURE	14
1	03300	DELAY INSULATOR (.807" O.D. X .594")	13
1	03361	DELAY GRAIN (.61" O.D. X .438")	12
1	03321	AFT DELAY SPACER (.615 X .281")	11
1	00117	FORWARD O-RING (1" O.D. X 3/32") 117	10
1	29FSD	FORWARD SEAL DISC(1"O.D.X.5" I.D.X3/16")	9
6	03541-4	PROPELLANT GRAINS (.933" O.D. X 1.75")	8
1	2936C	CASE	7
1	02045-5	PHENOLIC LINER (.997" O.D. X 10.780")	6
1	05402	AFT INSULATOR (1" O.D. X .5" I.D. X 1/16")	5
1	00020	AFT O-RING (1" O.D. X 1/16") 020	4
1	01550	NOZZLE (L2 NEW) UNDRILLED	3
1	29AC2	AFT CLOSURE (LARGE I.D.)	2
1	041316	NOZZLE CAP(13/16" I.D.)	1

SUPPLIER DATA		RELOAD KIT IDENTIFICATION		UNLESS OTHERWISE SPECIFIED DIMENSIONS ARE IN INCHES		
AEROTECH INC.		09200S	I200W-S RMS-PLUS	.XX +/- .010	.XXX +/- .005	ANGLES +/- 2 deg.
				MATERIAL		
				NOTED		
				FINISH		
		PART NUMBER	DESCRIPTION			

LIST OF MATERIAL		CONTRACT NUMBER	
PREP	B. ROSENFELD	10 / 99	
CHKR			
APVD			
APVD			
		2113 W. 850 N. Street Cedar City, Utah 84720 (435) 865-7100 (Ph) (435) 865-7120 (Fax)	
HP 29/360 MOTOR WITH I200W-S RMS-PLUS™ RELOAD KIT			
SIZE	A	NUMBER	ASSY DWG
SCALE 1 / 1.5		SHEET 1 OF 1	

8

7

6

5

4

3

2

1