

8

7

6

5

4

3

2

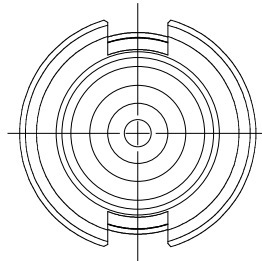
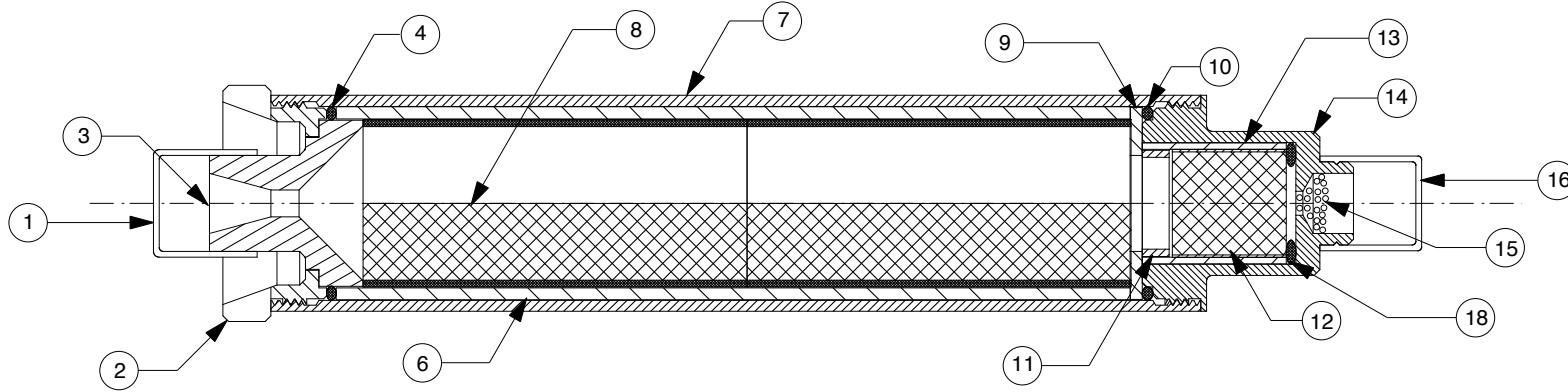
1

## REVISIONS

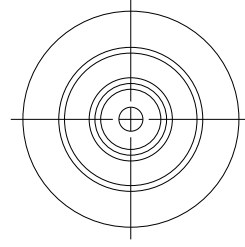
EFFECTIVITY	REV	DESCRIPTION	DATE	APPROVED
FUTURE	A	FIRST RELEASE ISSUE	5 / 22 / 07	
FUTURE	B	CHANGED RELOAD DESIGNATION FROM G53-10J TO G53-10FJ	10 / 8 / 07	

### NOTES:

1. MOTOR ASSEMBLY SHOWN WITH SPECIFIED MOTOR HARDWARE & RELOAD KIT.




VIEW AFT CLOSURE



VIEW FORWARD CLOSURE

1	00111	DELAY O-RING (5/8" O.D. X 3/32") 111	18
NA		GRAIN SPACER	17
1	04716	EJECTION CHARGE CAP (7/16" I.D.)	16
1	03700	EJECTION CHARGE (.7 GRAMS)	15
1	91292	FORWARD CLOSURE	14
1	03072	DELAY INSULATOR (.629" O.D. X .75")	13
1	03215	DELAY GRAIN (.562" O.D. X .593")	12
1	03052	DELAY SPACER (.553" O.D. X .140") GREEN	11
1	00020	FORWARD O-RING (1" O.D. X 1/16") 020	10
1	05402	FORWARD INSULATOR (1" O.D. X .5" I.D. X 1/16")	9
2	03527	PROPELLANT GRAINS (.872" O.D. X 2.000")	8
1	910813A	CASE	7
1	02020	LINER (1.005" O.D. X 4.14")	6
NA		AFT INSULATOR	5
1	00020	AFT O-RING (1" O.D. X 1/16") 020	4
1	01350	.865" O.D. NOZZLE .141" THROAT UNDRILLED	3
1	910811C	AFT CLOSURE	2
1	04120	NOZZLE CAP (1/2" I.D.)	1

QTY	PART NUMBER	DESCRIPTION	ITEM
LIST OF MATERIAL			
CONTRACT NUMBER		 2113 W. 850 N. Street Cedar City, Utah 84720 (435) 865-7100 (Ph) (435) 865-7120 (Fax)	
PREP	G. ROSENFELD	5 / 07	<b>RMS-29/40-120 MOTOR WITH            2-GRAIN G53-10FJ RELOAD KIT</b>
CHKR			
APVD			<b>A</b> NUMBER <b>ASSY DWG</b>
APVD			
SCALE 1 / 1		SHEET 1 OF 1	

### SUPPLIER DATA

AEROTECH DIV., RCS RMC INC.

### RELOAD KIT IDENTIFICATION

73310

G53-10FJ

UNLESS OTHERWISE SPECIFIED  
DIMENSIONS ARE IN INCHES

.XX      .XXX      ANGLES  
+/- .010    +/- .005    +/- 2 deg.

MATERIAL

NOTED

FINISH

PART NUMBER

DESCRIPTION

8

7

6

5

4

3

2

1