

8

7

6

5

4

3

2

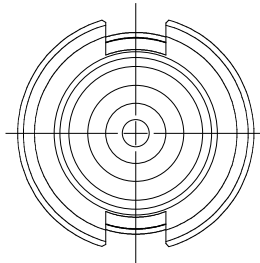
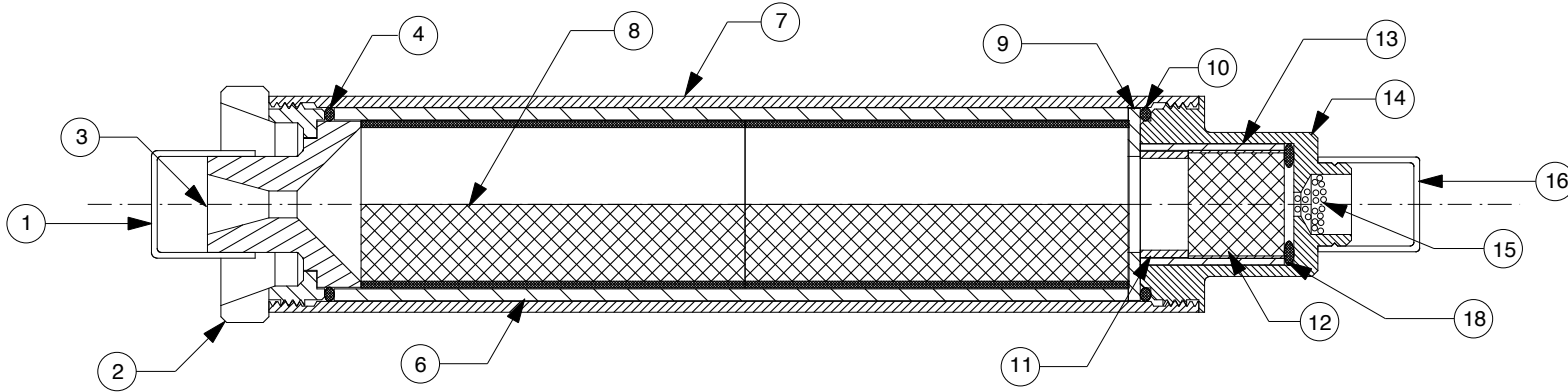
1

REVISIONS

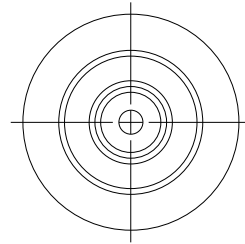
EFFECTIVITY	REV	DESCRIPTION	DATE	APPROVED
FUTURE	A	FIRST RELEASE ISSUE	11 / 11 / 99	
FUTURE	B	CHANGED PROPELLANT, DIFFERENT DELAY & SPACER, CHANGED THROAT DIAMETER	5 / 22 / 07	
FUTURE	C	CHANGED RELOAD DESIGNATION FROM G33-7J TO G53-7FJ	10 / 8 / 07	

NOTES:

1. MOTOR ASSEMBLY SHOWN WITH SPECIFIED MOTOR HARDWARE & RELOAD KIT.




VIEW AFT CLOSURE



VIEW FORWARD CLOSURE

1	00111	DELAY O-RING (5/8" O.D. X 3/32")	111	18
NA		GRAIN SPACER		17
1	04716	EJECTION CHARGE CAP (7/16" I.D.)		16
1	03700	EJECTION CHARGE (.7 GRAMS)		15
1	91292	FORWARD CLOSURE		14
1	03072	DELAY INSULATOR (.629" O.D. X .75")		13
1	03209	DELAY GRAIN (.562" O.D. X .500")		12
1	03056	DELAY SPACER (.553" O.D. X .250") SILVER		11
1	00020	FORWARD O-RING (1" O.D. X 1/16")	020	10
1	05402	FORWARD INSULATOR (1" O.D.X.5" I.D.X1/16")		9
2	03527	PROPELLANT GRAINS (.872" O.D. X 2.000")		8
1	910813A	CASE		7
1	02020	LINER (1.005" O.D. X 4.14")		6
NA		AFT INSULATOR		5
1	00020	AFT O-RING (1" O.D. X 1/16")	020	4
1	01350	.865" O.D. NOZZLE .141" THROAT UNDRILLED		3
1	910811C	AFT CLOSURE		2
1	04120	NOZZLE CAP (1/2" I.D.)		1

QTY	PART NUMBER	DESCRIPTION	ITEM
LIST OF MATERIAL			
CONTRACT NUMBER		 2113 W. 850 N. Street Cedar City, Utah 84720 (435) 865-7100 (Ph) (435) 865-7120 (Fax)	
PREP	G. ROSENFELD		
CHKR		RMS-29/40-120 MOTOR WITH 2-GRAIN G53-7FJ RELOAD KIT	
APVD			
APVD		SIZE	NUMBER
		A	ASSY DWG
		SCALE	1 / 1
		SHEET 1 OF 1	

SUPPLIER DATA

AEROTECH DIV., RCS RMC INC.

RELOAD KIT IDENTIFICATION

73307

G53-7FJ

UNLESS OTHERWISE SPECIFIED DIMENSIONS ARE IN INCHES

.XX +/- .010	.XXX +/- .005	ANGLES +/- 2 deg.
-----------------	------------------	----------------------

MATERIAL

NOTED

FINISH

PART NUMBER

DESCRIPTION

8

7

6

5

4

3

2

1