

8

7

6

5

4

3

2

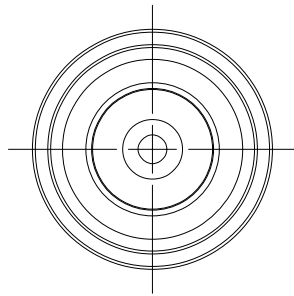
1

REVISIONS

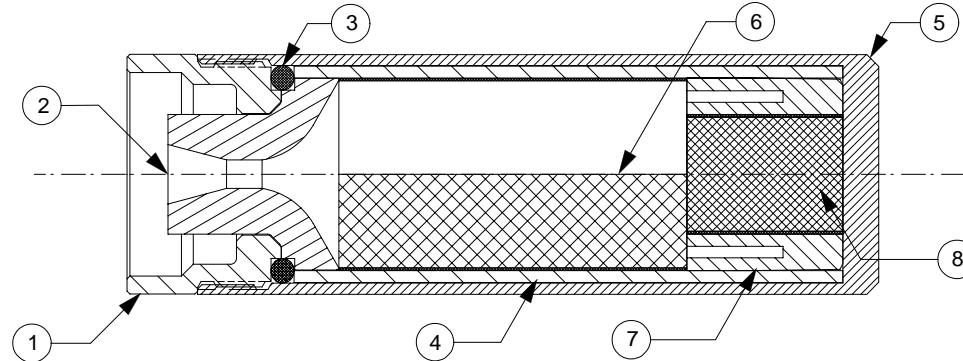
EFFECTIVITY	REV	DESCRIPTION	DATE	APPROVED
FUTURE	A	FIRST RELEASE ISSUE	11 / 10 / 99	

NOTES:

- MOTOR ASSEMBLY SHOWN WITH SPECIFIED MOTOR HARDWARE & RELOAD KIT.



VIEW AFT CLOSURE



QTY	PART NUMBER	DESCRIPTION	ITEM
1	03285	SMOKE CARTRIDGE (.625" O.D. X .813")	8
1	03093	SMOKE CARTRIDGE INSULATOR (1" X 13/16")	7
1	03559	PROPELLANT GRAINS (1.00 O.D." X 1.813")	6
1	011496-01	CASE	5
1	02050	LINER (1.13" O.D. X 2.860")	4
1	00212	AFT O-RING (1 1/8" X 1/8") 212	3
1	01450-1	NOZZLE (G45/F60) DRILLED .150"	2
1	902604A	AFT CLOSURE	1

SUPPLIER DATA		RELOAD KIT IDENTIFICATION	
AEROTECH INC.		91623	F23-RCW-SK
UNLESS OTHERWISE SPECIFIED DIMENSIONS ARE IN INCHES			
.XX +/- .010		.XXX +/- .005	ANGLES +/- 2 deg.
MATERIAL			
NOTED			
FINISH			
PART NUMBER		DESCRIPTION	

LIST OF MATERIAL			
CONTRACT NUMBER			
PREP B. ROSENFELD 8 / 99		2113 W. 850 N. Street Cedar City, Utah 84720 (435) 865-7100 (Ph) (435) 865-7120 (Fax)	
CHKR		RMS-RC 32/60 MOTOR WITH F23-RCW-SK RELOAD KIT	
APVD	SIZE	NUMBER	
APVD	A	ASSY DWG	
SCALE 1/1		SHEET 1 OF 1	

8

7

6

5

4

3

2

1