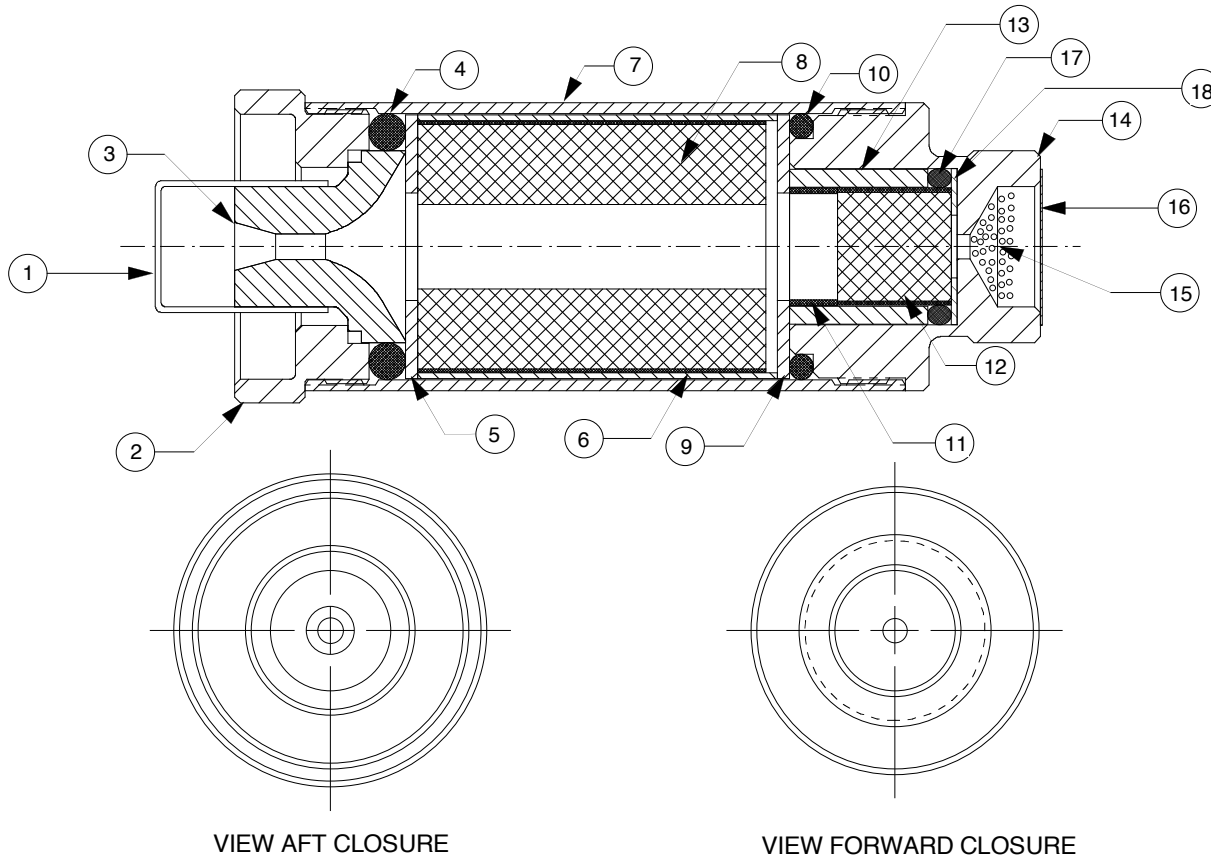


NOTES:


1. MOTOR ASSEMBLY SHOWN WITH SPECIFIED MOTOR HARDWARE & RELOAD KIT.

REVISIONS

EFFECTIVITY	REV	DESCRIPTION	DATE	APPROVED
FUTURE	A	FIRST RELEASE ISSUE	6 / 03 / 04	



1	03350	FWD DELAY SPACER (13/16" O.D. X .031")	18
1	00001	DELAY O-RING (15MM I.D. X 3MM THICK)	17
1	05602	EJECTION CHARGE CAP (13/16")	16
1	03700	EJECTION CHARGE (FILLS WELL 3/4 FULL)	15
1	38FCC	FORWARD CLOSURE	14
1	03302	DELAY INSULATOR (.807" O.D. X .719")	13
1	03369	DELAY GRAIN (.61" O.D. X .594")	12
1	03320	AFT DELAY SPACER (.615" O.D. X .250")	11
1	00216	FORWARD O-RING (1 3/8" O.D. X 1/8") 216	10
1	05404	FWD INSULATOR(1.375"O.D.X.562"l.D.X1/16"	9
1	03581	PROPELLANT GRAINS (1.308" O.D. X 1.815")	8
1	3812C	CASE	7
1	02052	LINER (1.372" O.D. X 1.875")	6
1	05404	AFT INSULATOR(1.375"O.D.X.562"l.D.X1/16"	5
1	00318	AFT O-RING (1.375" O.D. X 3/16") 318	4
1	01400-3	NOZZLE (F10/F30) DRILLED .136"	3
1	38AC2	AFT CLOSURE L2	2
1	04580	NOZZLE CAP (5/8" I.D.)	1

QTY	PART NUMBER	DESCRIPTION	ITEM
LIST OF MATERIAL			
CONTRACT NUMBER		 2113 W. 850 N. Street Cedar City, Utah 84720 (435) 867-9998 (Ph) (443) 222-0203 (Fax)	
PREP	B. ROSENFELD		
CHKR			HP 38/120 MOTOR WITH G61W-M RMS-PLUS™ RELOAD KIT
APVD		SIZE	NUMBER
APVD		A	ASSY DWG
SCALE 1 / 1			SHEET 1 OF 1

SUPPLIER DATA		RELOAD KIT IDENTIFICATION	
AEROTECH		07061M	G61W-M
UNLESS OTHERWISE SPECIFIED DIMENSIONS ARE IN INCHES			
		.XX +/- .010	.XXX +/- .005
		ANGLES +/- 2 deg.	
		MATERIAL	
		NOTED	
		FINISH	
		PART NUMBER	
		DESCRIPTION	

8

7

6

5

4

3

2

1