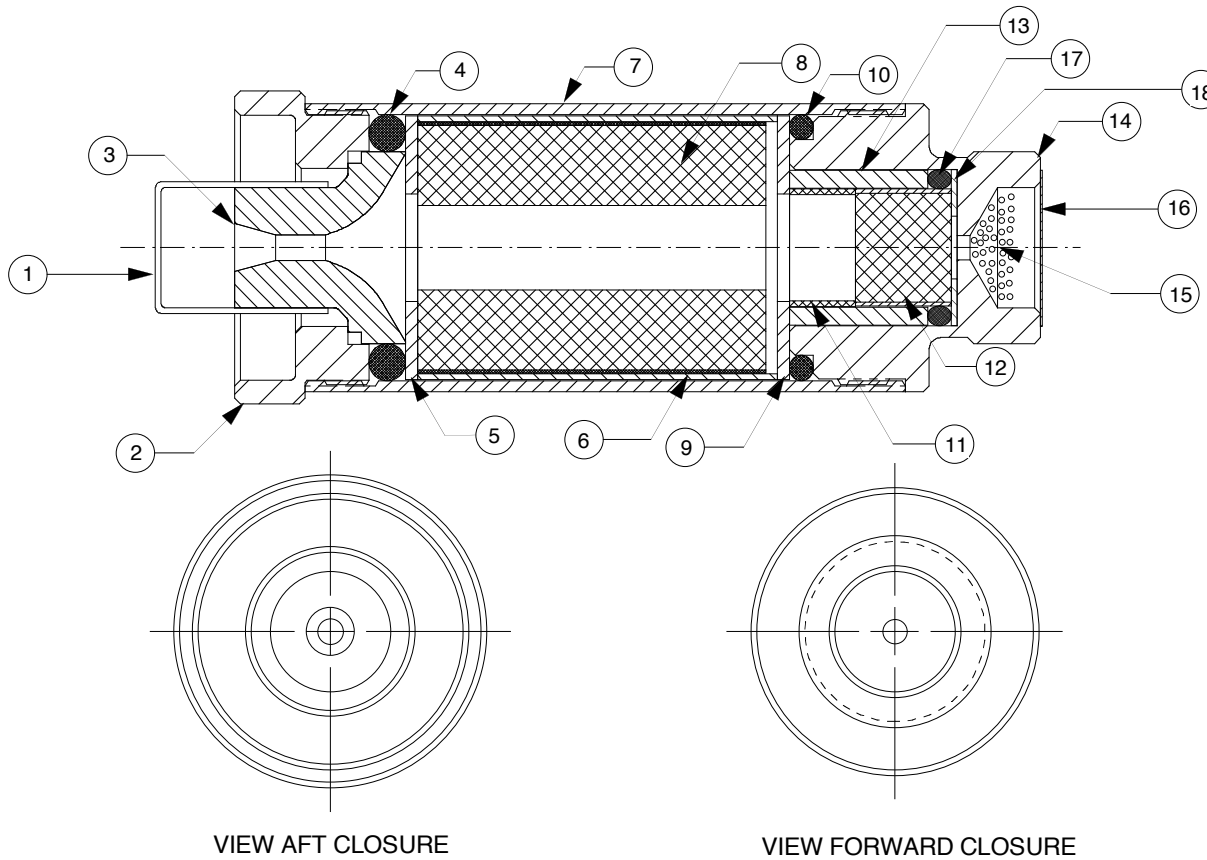


**NOTES:**

1. MOTOR ASSEMBLY SHOWN WITH SPECIFIED MOTOR HARDWARE & RELOAD KIT.

**REVISIONS**

EFFECTIVITY	REV	DESCRIPTION	DATE	APPROVED
FUTURE	A	FIRST RELEASE ISSUE	6 / 23 / 04	



1	03350	FWD DELAY SPACER (13/16" O.D. X .031")	18
1	00001	DELAY O-RING (15MM I.D. X 3MM THICK)	17
1	05602	EJECTION CHARGE CAP (13/16")	16
1	03700	EJECTION CHARGE (FILLS WELL 3/4 FULL)	15
1	38FCC	FORWARD CLOSURE	14
1	03302	DELAY INSULATOR (.807" O.D. X .719")	13
1	03366	DELAY GRAIN (.61" O.D. X .500")	12
1	03326	AFT DELAY SPACER (.615" O.D. X .344")	11
1	00216	FORWARD O-RING (1 3/8" O.D. X 1/8") 216	10
1	05404	FWD INSULATOR(1.375"O.D.X.562"!.D.X1/16"	9
1	03581	PROPELLANT GRAINS (1.308" O.D. X 1.815")	8
1	3812C	CASE	7
1	02052	LINER (1.372" O.D. X 1.875")	6
1	05404	AFT INSULATOR(1.375"O.D.X.562"!.D.X1/16"	5
1	00318	AFT O-RING (1.375" O.D. X 3/16") 318	4
1	01400-3	NOZZLE (F10/F30) DRILLED .136"	3
1	38AC2	AFT CLOSURE L2	2
1	04580	NOZZLE CAP (5/8" I.D.)	1

**SUPPLIER DATA**

**RELOAD KIT IDENTIFICATION**

UNLESS OTHERWISE SPECIFIED DIMENSIONS ARE IN INCHES

<b>AEROTECH</b>	<b>07061S</b>	<b>G61W-S</b>
	<b>PART NUMBER</b>	<b>DESCRIPTION</b>

.XX  
+/- .010

.XXX  
+/- .005

ANGLES  
+/- 2 deg.

**MATERIAL**

**NOTED**

**FINISH**

QTY PART NUMBER DESCRIPTION ITEM

LIST OF MATERIAL

CONTRACT NUMBER

PREP B. ROSENFIELD 6 / 04

CHKR

APVD

APVD

SCALE 1 / 1

SHEET 1 OF 1

**RCS** ROCKET MOTOR COMPONENTS, INC.  
2113 W. 850 N. Street  
Cedar City, Utah 84720  
(435) 867-9998 (Ph)  
(443) 222-0203 (Fax)

**HP 38/120 MOTOR WITH G61W-S  
RMS-PLUS™ RELOAD KIT**

SIZE **A** NUMBER **ASSY DWG**