

8

7

6

5

4

3

2

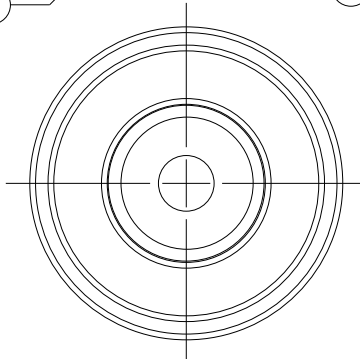
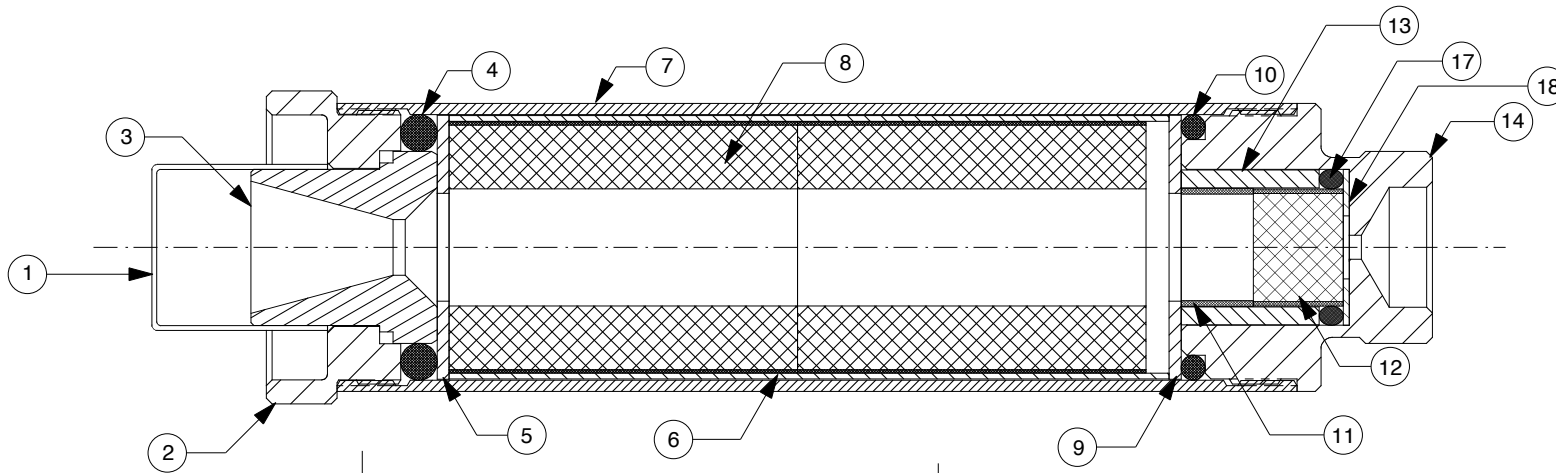
1

REVISIONS

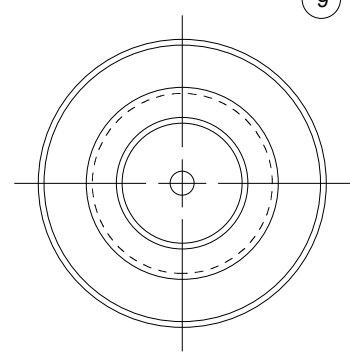
EFFECTIVITY	REV	DESCRIPTION	DATE	APPROVED
FUTURE	A	FIRST RELEASE ISSUE	4 / 5 / 06	

NOTES:

- MOTOR ASSEMBLY SHOWN WITH SPECIFIED MOTOR HARDWARE & RELOAD KIT.




VIEW AFT CLOSURE



VIEW FORWARD CLOSURE

1	03350	FWD DELAY SPACER (13/16" O.D. x .031")	18
1	00001	DELAY O-RING (15MM I.D. X 3MM THICK)	17
			16
			15
1	38FCC	FORWARD CLOSURE	14
1	03302	DELAY INSULATOR (.807" O.D. X .719")	13
1	03363	DELAY GRAIN (.61" O.D. X .469")	12
1	03329	AFT DELAY SPACER (.615" O.D. X .375")	11
1	00216	FORWARD O-RING (1 3/8" O.D. X 1/8")	10
1	05404	FWD INSULATOR(1.375"O.D.X.562" I.D.X1/16")	9
2	03581-6	PROPELLANT GRAINS (1.308" O.D. X 1.815")	8
1	3824C	CASE	7
1	02055	LINER (1.372" O.D. X 3.750")	6
1	05404	AFT INSULATOR(1.375"O.D.X.562" I.D.X1/16")	5
1	00318	AFT O-RING (1.375" O.D. X 3/16")	4
1	01550	NOZZLE (NEW L2) UNDRILLED	3
1	38AC2	AFT CLOSURE L2	2
1	041316	NOZZLE CAP (13/16" I.D.)	1

QTY	PART NUMBER	DESCRIPTION	ITEM
LIST OF MATERIAL			
CONTRACT NUMBER		 2113 W. 850 N. Street Cedar City, Utah 84720 (435) 865-7100 (Ph) (435) 865-7120 (Fax)	
PREP	G. ROSENFELD		
CHKR			HP 38/240 MOTOR WITH H669N-P RMS PLUS™ RELOAD KIT
APVD		SIZE	NUMBER
APVD		A	ASSY DWG
SCALE 1 / 1		SHEET 1 OF 1	

SUPPLIER DATA

AEROTECH/RCS RMC INC.

RELOAD KIT IDENTIFICATION

08669P

H669N-P RMS PLUS

UNLESS OTHERWISE SPECIFIED DIMENSIONS ARE IN INCHES

.XX	.XXX	ANGLES
+/- .010	+/- .005	+/- 2 deg.

MATERIAL

NOTED

FINISH

PART NUMBER

DESCRIPTION

8

7

6

5

4

3

2

1