

8

7

6

5

4

3

2

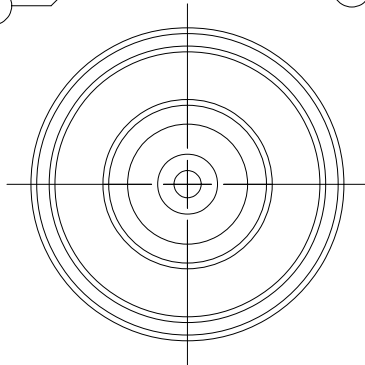
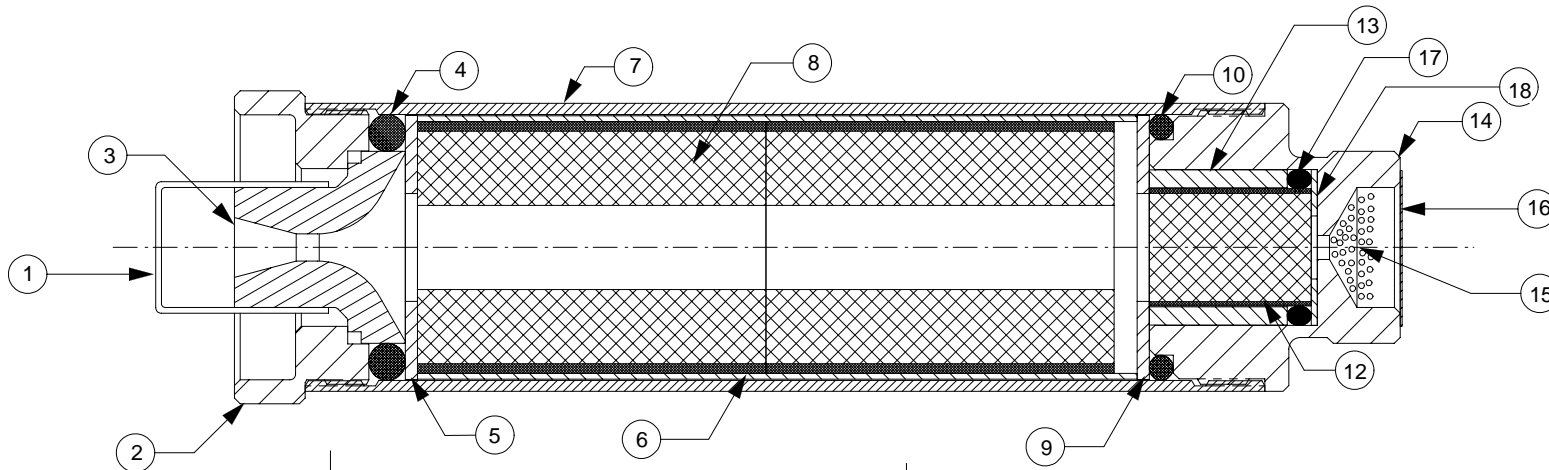
1

REVISIONS

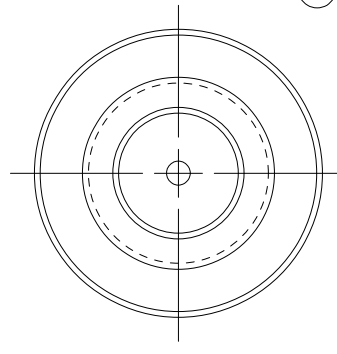
EFFECTIVITY	REV	DESCRIPTION	DATE	APPROVED
FUTURE	A	FIRST RELEASE ISSUE (RMS-PLUS™ SYSTEM)	12 / 9 / 99	

NOTES:

1. MOTOR ASSEMBLY SHOWN WITH SPECIFIED MOTOR HARDWARE & RELOAD KIT.



VIEW AFT CLOSURE



VIEW FORWARD CLOSURE

1	03350	FWD DELAY SPACER (13/16" O.D. X .031")	18
1	00001	DELAY O-RING (15MM I.D. X 3MM THICK)	17
1	05602	EJECTION CHARGE CAP	16
1	03700	EJECTION CHARGE (FILLS WELL 3/4 FULL)	15
1	38FCC	FORWARD CLOSURE	14
1	03302	DELAY INSULATOR (.807" O.D. X .719")	13
1	03387	DELAY GRAIN (.61" O.D. X .844)	12
NA		AFT DELAY SPACER	11
1	00216	FORWARD O-RING (1 3/8" O.D. X 1/8") 216	10
1	05404	FWD INSULATOR (1.375" O.D. X .562" I.D. X 1/16")	9
2	03581-4	PROPELLANT (1.308" O.D. X 1.815") THICK	8
1	3824C	CASE	7
1	02055	LINER (1.372" O.D. X 3.750")	6
1	05404	AFT INSULATOR (1.375" O.D. X .562" I.D. X 1/16")	5
1	00318	AFT O-RING (1.375" O.D. X 3/16") 318	4
1	01450	NOZZLE (G45/F60) UNDRILLED	3
1	38AC2	AFT CLOSURE L2	2
1	04580	NOZZLE CAP (5/8" I.D.)	1

QTY	PART NUMBER	DESCRIPTION	ITEM
LIST OF MATERIAL			
CONTRACT NUMBER		AEROTECH CONSUMER AEROSPACE 2113 W. 850 N. Street Cedar City, Utah 84720 (435) 865-7100 (Ph) (435) 865-7120 (Fax)	
PREP	B. ROSENFELD	10 / 99	HP 38/240 MOTOR WITH H73J-L RMS PLUS™ RELOAD KIT ASSY DWG
CHKR			
APVD			
APVD			
SCALE 1/1		SHEET 1 OF 1	

SUPPLIER DATA		RELOAD KIT IDENTIFICATION		UNLESS OTHERWISE SPECIFIED DIMENSIONS ARE IN INCHES		
AEROTECH INC.		08073L	H73J-L	.XX +/- .010	.XXX +/- .005	ANGLES +/- 2 deg.
				MATERIAL		
				NOTED		
				FINISH		
		PART NUMBER	DESCRIPTION			

8

7

6

5

4

3

2

1