

8

7

6

5

4

3

2

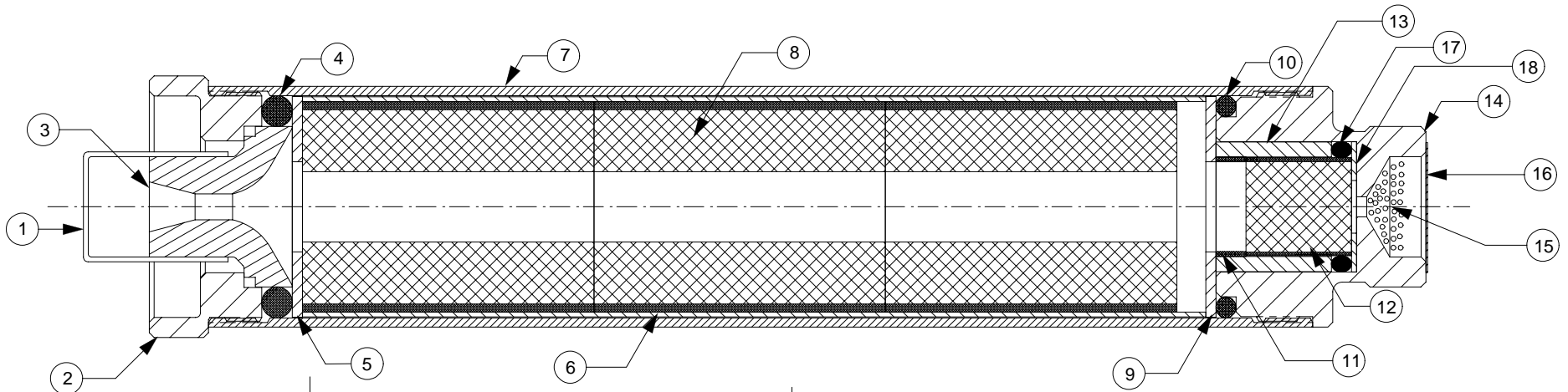
1

REVISIONS

EFFECTIVITY	REV	DESCRIPTION	DATE	APPROVED
FUTURE	A	FIRST RELEASE ISSUE	11 / 12 / 99	
FUTURE	B	RMS-PLUS™ DELAY SYSTEM (SEE E.O.)	12 / 9 / 99	

NOTES:

1. MOTOR ASSEMBLY SHOWN WITH SPECIFIED MOTOR HARDWARE & RELOAD KIT.



1	03350	FWD DELAY SPACER (13/16" O.D. X .031")	18
1	00001	DELAY O-RING (15MM I.D. X 3MM THICK)	17
1	05602	EJECTION CHARGE CAP	16
1	03700	EJECTION CHARGE (FILLS WELL 3/4 FULL)	15
1	38FCC	FORWARD CLOSURE	14
1	03302	DELAY INSULATOR (.807" O.D. X .719")	13
1	03375	DELAY GRAIN (.61" O.D. X .656")	12
1	03314	AFT DELAY SPACER (.615" O.D. X .188")	11
1	00216	FORWARD O-RING (1 3/8" O.D. X 1/8") 216	10
1	05404	FWD INSULATOR(1.375"O.D.X.562" I.D.X1/16")	9
3	03581-4	PROPELLANT (1.308" O.D. X 1.815") THICK	8
1	3836C	CASE	7
1	02060	LINER (1.372" O.D. X 5.625")	6
1	05404	AFT INSULATOR(1.375"O.D.X.562" I.D.X1/16")	5
1	00318	AFT O-RING (1.375" O.D. X 3/16") 318	4
1	01450-3	NOZZLE (G45/F60) DRILLED .161"	3
1	38AC2	AFT CLOSURE L2	2
1	04580	NOZZLE CAP (5/8" I.D.)	1

VIEW AFT CLOSURE

VIEW FORWARD CLOSURE

SUPPLIER DATA		RELOAD KIT IDENTIFICATION		UNLESS OTHERWISE SPECIFIED DIMENSIONS ARE IN INCHES			LIST OF MATERIAL					
AEROTECH INC.		09112S	H112J-S RMS PLUS	.XX +/- .010	.XXX +/- .005	ANGLES +/- 2 deg.	QTY	PART NUMBER	DESCRIPTION	ITEM	CONTRACT NUMBER	
				MATERIAL			<p>2113 W. 850 N. Street Cedar City, Utah 84720 (435) 865-7100 (Ph) (435) 865-7120 (Fax)</p> <p>AEROTECH CONSUMER AEROSPACE</p>				PREP B. ROSENFELD 10 / 99	
				NOTED			<p>HP 38/360 MOTOR WITH H112J-S RMS-PLUS™ RELOAD KIT</p>				CHKR	
				FINISH			<p>SIZE A NUMBER ASSY DWG</p>				APVD	
				PART NUMBER			SCALE 1 / 1				APVD	
				DESCRIPTION			SHEET 1 OF 1					

8

7

6

5

4

3

2

1