

8

7

6

5

4

3

2

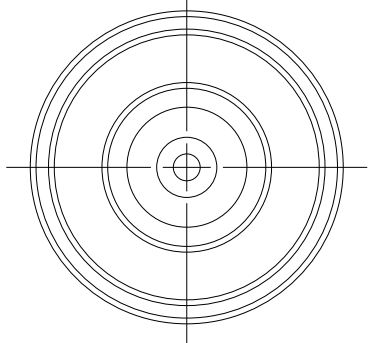
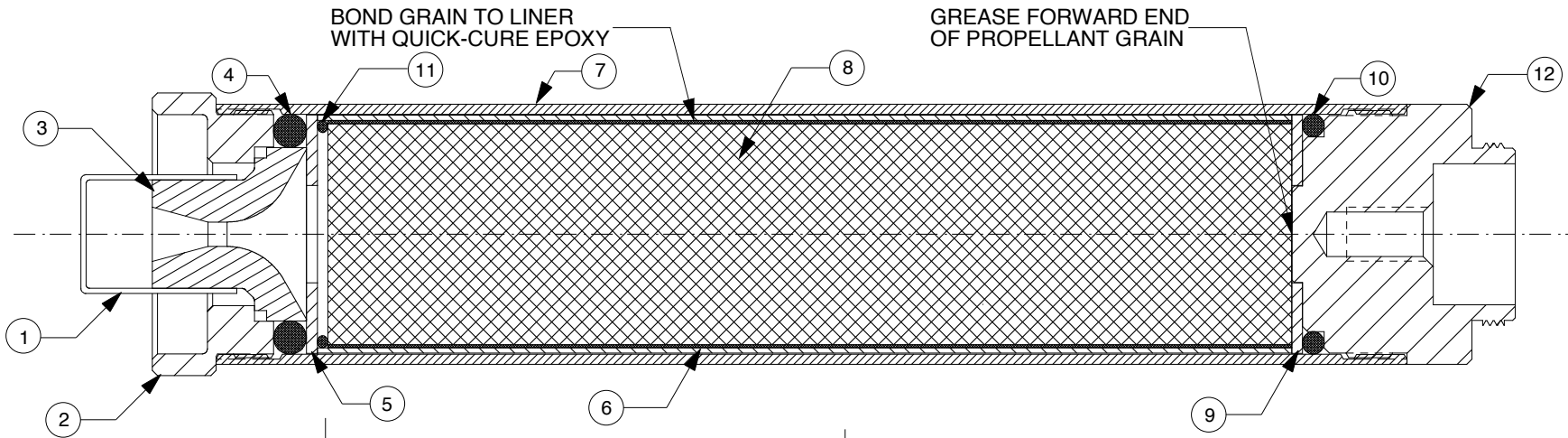
1

REVISIONS

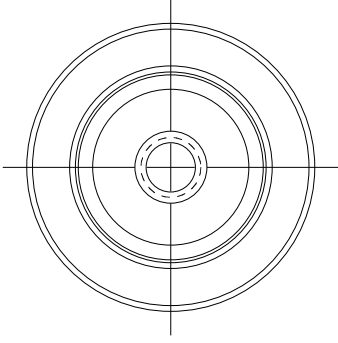
EFFECTIVITY	REV	DESCRIPTION	DATE	APPROVED
FUTURE	A	FIRST RELEASE ISSUE	5 / 27 / 09	

NOTES:

1. MOTOR ASSEMBLY SHOWN WITH SPECIFIED MOTOR HARDWARE & RELOAD KIT.



VIEW AFT CLOSURE



VIEW FORWARD CLOSURE

QTY	PART NUMBER	DESCRIPTION	ITEM
1	38EBFCPT	FORWARD CLOSURE, END BURN STYLE	12
1	00025	GRAIN O-RING (1 5/16" O.D. X 1/16") 025	11
1	00216	FORWARD O-RING (1 3/8" O.D. X 1/8") 216	10
1	05404	FWD INSULATOR(1.375"O.D.X.562" I.D.X1/16")	9
1	03581-10	PROPELLANT (1.308" O.D. X 5.563")	8
1	3836C	CASE	7
1	02065-3	PHENOLIC LINER (1.372" O.D. X 5.625")	6
1	05404	AFT INSULATOR(1.375"O.D.X.562" I.D.X1/16")	5
1	00318	AFT O-RING (1.375" O.D. X 3/16") 318	4
1	01450	NOZZLE (G45/F60) .141" DT UNDRILLED	3
1	38AC2	AFT CLOSURE L2	2
1	04580	NOZZLE CAP (5/8" I.D.)	1

LIST OF MATERIAL				
CONTRACT NUMBER		<p>2113 W. 850 N. Street Cedar City, Utah 84720 (435) 865-7100 (Ph) (435) 865-7120 (Fax)</p>		
PREP	G. ROSENFELD			5 / 09
CHKR				
APVD		SIZE	NUMBER	
APVD		A	ASSY DWG	

SUPPLIER DATA		RELOAD KIT IDENTIFICATION		UNLESS OTHERWISE SPECIFIED DIMENSIONS ARE IN INCHES	
AEROTECH/RCS RMC INC.		09049P	I49N-P RMS PLUS	.XX +/- .010	.XXX +/- .005
				ANGLES +/- 2 deg.	
				MATERIAL	
				NOTED	
				FINISH	
		PART NUMBER	DESCRIPTION		

8

7

6

5

4

3

2

1