

8

7

6

5

4

3

2

1

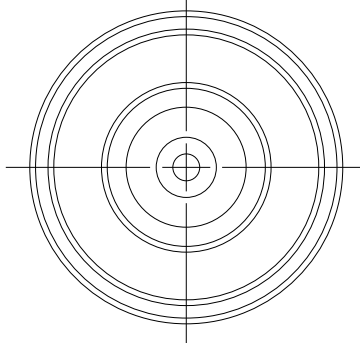
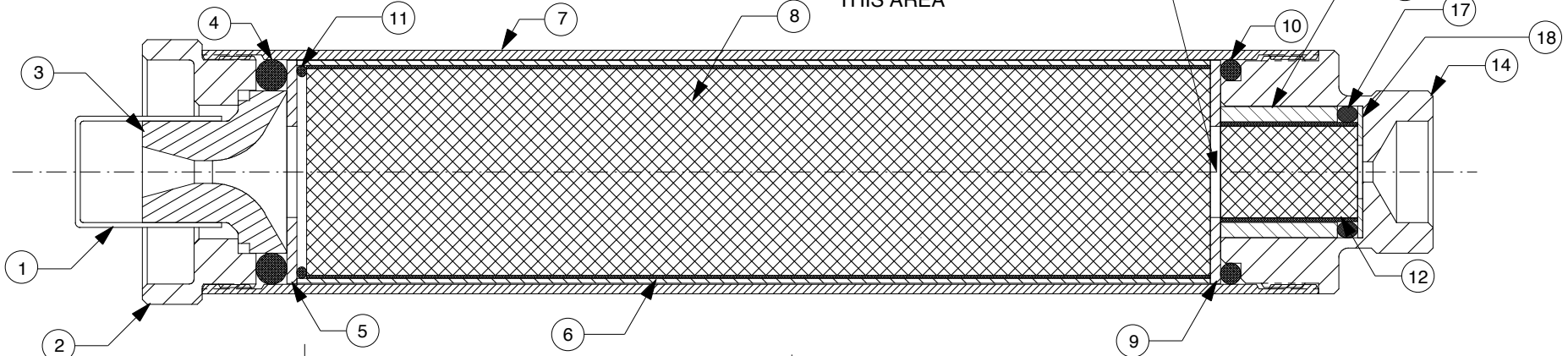
REVISIONS

EFFECTIVITY	REV	DESCRIPTION	DATE	APPROVED
FUTURE	A	FIRST RELEASE ISSUE	8 / 13 / 07	

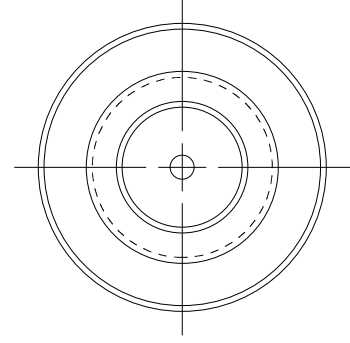
NOTES:

1. MOTOR ASSEMBLY SHOWN WITH SPECIFIED MOTOR HARDWARE & RELOAD KIT.

GREASE ALL PROPELLANT SURFACES AND SPACES IN THIS AREA



VIEW AFT CLOSURE



VIEW FORWARD CLOSURE

1	03350	FWD DELAY SPACER (13/16" O.D. X .031")	18
1	00001	DELAY O-RING (15MM I.D. X 3MM THICK)	17
			16
			15
1	38FCC	FORWARD CLOSURE	14
1	03302	DELAY INSULATOR (.807" O.D. X .719")	13
1	03387	DELAY GRAIN (.61" O.D. X .844")	12
1	00025	GRAIN O-RING (1 5/16" O.D. X 1/16") 025	11
1	00216	FORWARD O-RING (1 3/8" O.D. X 1/8") 216	10
1	05404	FWD INSULATOR(1.375"O.D.X.562" I.D.X1/16")	9
1	03581-10	PROPELLANT (1.308" O.D. X 5.563")	8
1	3836C	CASE	7
1	02065-3	PHENOLIC LINER (1.372" O.D. X 5.625")	6
1	05404	AFT INSULATOR(1.375"O.D.X.562" I.D.X1/16")	5
1	00318	AFT O-RING (1.375" O.D. X 3/16") 318	4
1	01450	NOZZLE (G45/F60) .141" DT UNDRILLED	3
1	38AC2	AFT CLOSURE L2	2
1	04580	NOZZLE CAP (5/8" I.D.)	1

QTY	PART NUMBER	DESCRIPTION	ITEM
LIST OF MATERIAL			
CONTRACT NUMBER			
PREP G. ROSENFELD		8 / 07	
CHKR			
APVD		SIZE	NUMBER
APVD		A	ASSY DWG
		SCALE 1 / 1	SHEET 1 OF 1

SUPPLIER DATA

AEROTECH/RCS RMC INC.

RELOAD KIT IDENTIFICATION

09059P

I59N-P RMS PLUS

UNLESS OTHERWISE SPECIFIED DIMENSIONS ARE IN INCHES

.XX +/- .010	.XXX +/- .005	ANGLES +/- 2 deg.
-----------------	------------------	----------------------

MATERIAL

NOTED

FINISH

PART NUMBER

DESCRIPTION

RCS ROCKET MOTOR COMPONENTS, INC.
 2113 W. 850 N. Street
 Cedar City, Utah 84720
 (435) 865-7100 (Ph)
 (435) 865-7120 (Fax)

**HP 38/360 MOTOR WITH I59N-P
 RMS-PLUS™ RELOAD KIT**

A **ASSY DWG**

8

7

6

5

4

3

2

1