

8

7

6

5

4

3

2

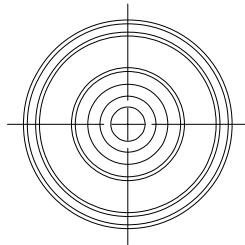
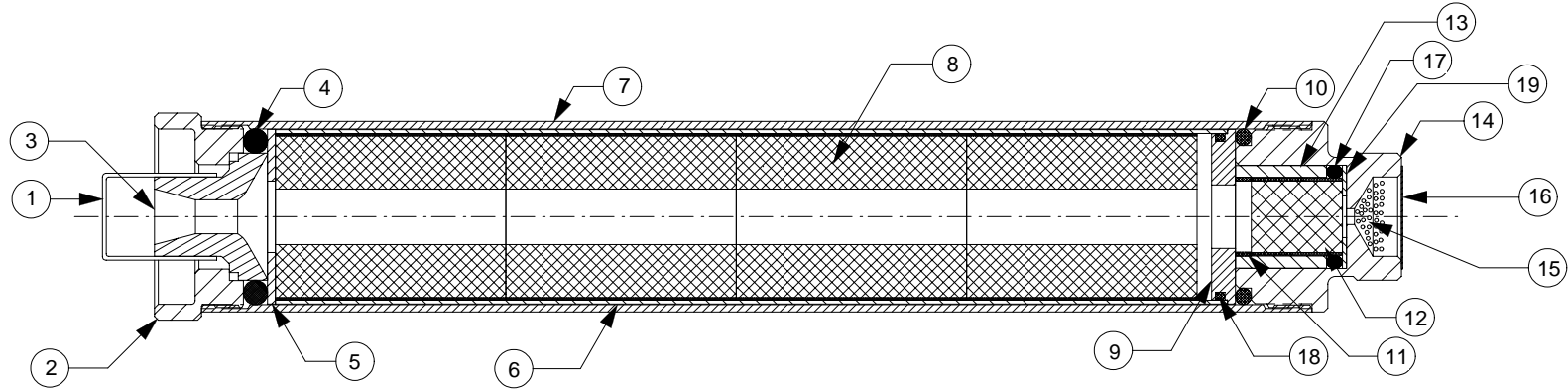
1

REVISIONS

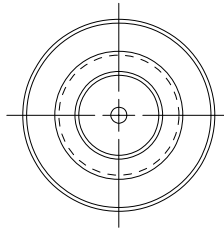
| EFFECTIVITY | REV | DESCRIPTION | DATE | APPROVED |
|-------------|-----|-----------------------------------|--------------|----------|
| FUTURE | A | FIRST RELEASE ISSUE | 11 / 12 / 99 | |
| FUTURE | B | RMS-PLUS™ DELAY SYSTEM (SEE E.O.) | 12 / 10 / 99 | |

NOTES:

1. MOTOR ASSEMBLY SHOWN WITH SPECIFIED MOTOR HARDWARE & RELOAD KIT.



VIEW AFT CLOSURE



VIEW FORWARD CLOSURE

| | | | |
|---|---------|--|----|
| 1 | 03350 | FWD DELAY SPACER (13/16" O.D. X .031") | 19 |
| 1 | 00025 | SEAL DISC O-RING (1.313" X 1/16") 025 | 18 |
| 1 | 00001 | DELAY O-RING (15MM I.D. X 3MM THICK) | 17 |
| 1 | 05602 | EJECTION CHARGE CAP | 16 |
| 1 | 03700 | EJECTION CHARGE (USER SUPPLIED) | 15 |
| 1 | 38FCC | FORWARD CLOSURE | 14 |
| 1 | 03302 | DELAY INSULATOR (.807" O.D. X .719") | 13 |
| 1 | 03378 | DELAY GRAIN (.61" O.D. X .719") | 12 |
| 1 | 03311 | AFT DELAY SPACER (.615" O.D. X .125") | 11 |
| 1 | 00216 | FORWARD O-RING (1 3/8" O.D. X 1/8") 216 | 10 |
| 1 | 38601 | FWD SEAL DISC (1.375"O.D.X.5" I.D.X.188") | 9 |
| 4 | 03581 | PROPELLANT (1.308" O.D. X 1.815") | 8 |
| 1 | 3848C | CASE | 7 |
| 1 | 02065-4 | PHENOLIC LINER (1.368" O.D. X 7.50") | 6 |
| 1 | 05404 | AFT INSULATOR(1.375"O.D.X.562" I.D.X1/16") | 5 |
| 1 | 00318 | AFT O-RING (1.375" O.D. X 3/16") 318 | 4 |
| 1 | 01500-6 | NOZZLE (F60/G80) DRILLED .266" | 3 |
| 1 | 38AC2 | AFT CLOSURE L2 | 2 |
| 1 | 04580 | NOZZLE CAP (5/8" I.D.) | 1 |

| QTY | PART NUMBER | DESCRIPTION | ITEM |
|------------------|--------------|--|-----------------|
| LIST OF MATERIAL | | | |
| CONTRACT NUMBER | | 2113 W. 850 N. Street Cedar City, Utah 84720 (435) 865-7100 (Ph) (435) 865-7120 (Fax) | |
| PREP | B. ROSENFELD | | |
| CHKR | | HP 38/480 MOTOR WITH I211W-L RMS-PLUS™ RELOAD KIT | |
| APVD | | | |
| APVD | | SIZE | NUMBER |
| | | A | ASSY DWG |
| SCALE 1 / 1.5 | | SHEET 1 OF 1 | |

| SUPPLIER DATA | | RELOAD KIT IDENTIFICATION | | UNLESS OTHERWISE SPECIFIED DIMENSIONS ARE IN INCHES | | |
|---------------|--|---------------------------|--------------------|---|----------|------------|
| AEROTECH INC. | | 09211L | I211W-L RMS PLUS | .XX | .XXX | ANGLES |
| | | | | +/- .010 | +/- .005 | +/- 2 deg. |
| | | | | MATERIAL | | |
| | | | | NOTED | | |
| | | | | FINISH | | |
| | | PART NUMBER | DESCRIPTION | | | |

8

7

6

5

4

3

2

1