

8

7

6

5

4

3

2

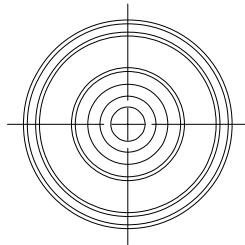
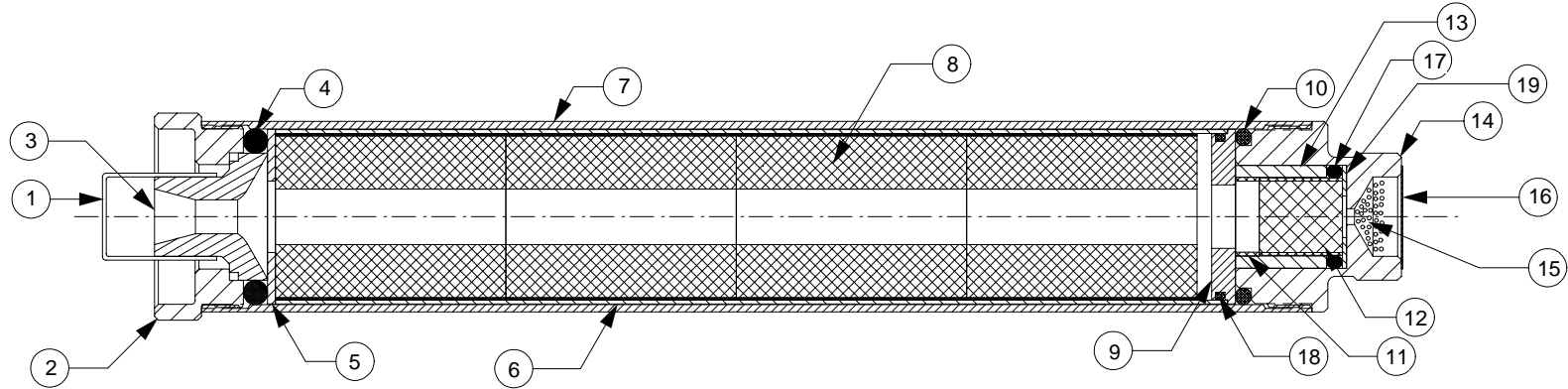
1

### REVISIONS

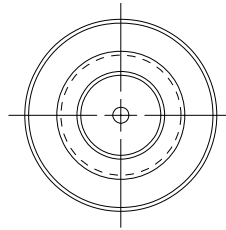
EFFECTIVITY	REV	DESCRIPTION	DATE	APPROVED
FUTURE	A	FIRST RELEASE ISSUE (REDLINE PROPELLANT)	09 / 05 / 01	

#### NOTES:

- MOTOR ASSEMBLY SHOWN WITH SPECIFIED MOTOR HARDWARE & RELOAD KIT.



VIEW AFT CLOSURE



VIEW FORWARD CLOSURE

1	03350	FWD DELAY SPACER (13/16" O.D. X .031")	19
1	00025	SEAL DISC O-RING (1.313" X 1/16") 025	18
1	00001	DELAY O-RING (15MM I.D. X 3MM THICK)	17
1	05602	EJECTION CHARGE CAP	16
1	03700	EJECTION CHARGE (USER SUPPLIED)	15
1	38FCC	FORWARD CLOSURE	14
1	03302	DELAY INSULATOR (.807" O.D. X .719")	13
1	03375	DELAY GRAIN (.61" O.D. X .656")	12
1	03314	AFT DELAY SPACER (.615" O.D. X .188")	11
1	00216	FORWARD O-RING (1 3/8" O.D. X 1/8") 216	10
1	38601	FWD SEAL DISC (1.375"O.D.X.5" I.D.X.188")	9
4	03581-5	PROPELLANT (1.308" O.D. X 1.815")	8
1	3848C	CASE	7
1	02065-4	PHENOLIC LINER (1.368" O.D. X 7.50")	6
1	05404	AFT INSULATOR(1.375"O.D.X.562" I.D.X1/16")	5
1	00318	AFT O-RING (1.375" O.D. X 3/16") 318	4
1	01500-6	NOZZLE (F60/G80) DRILLED .266"	3
1	38AC2	AFT CLOSURE L2	2
1	04580	NOZZLE CAP (5/8" I.D)	1

QTY	PART NUMBER	DESCRIPTION	ITEM
LIST OF MATERIAL			
CONTRACT NUMBER		 2113 W. 850 N. Street Cedar City, Utah 84720 (435) 865-7100 (Ph) (435) 865-7120 (Fax)	
PREP	B. ROSENFELD		
CHKR			
APVD		SIZE	NUMBER
APVD		<b>A</b>	<b>ASSY DWG</b>
SCALE 1 / 1.5		SHEET 1 OF 1	

SUPPLIER DATA		RELOAD KIT IDENTIFICATION		UNLESS OTHERWISE SPECIFIED DIMENSIONS ARE IN INCHES		
AEROTECH INC.		09285	I285R	.XX	.XXX	ANGLES
		RDK-14PLUS	RELOAD DELAY KIT (LONG)	+/- .010	+/- .005	+/- 2 deg.
				MATERIAL		
				NOTED		
				FINISH		
		PART NUMBER	DESCRIPTION			

8

7

6

5

4

3

2

1