

8

7

6

5

4

3

2

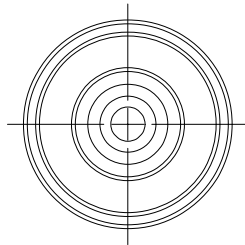
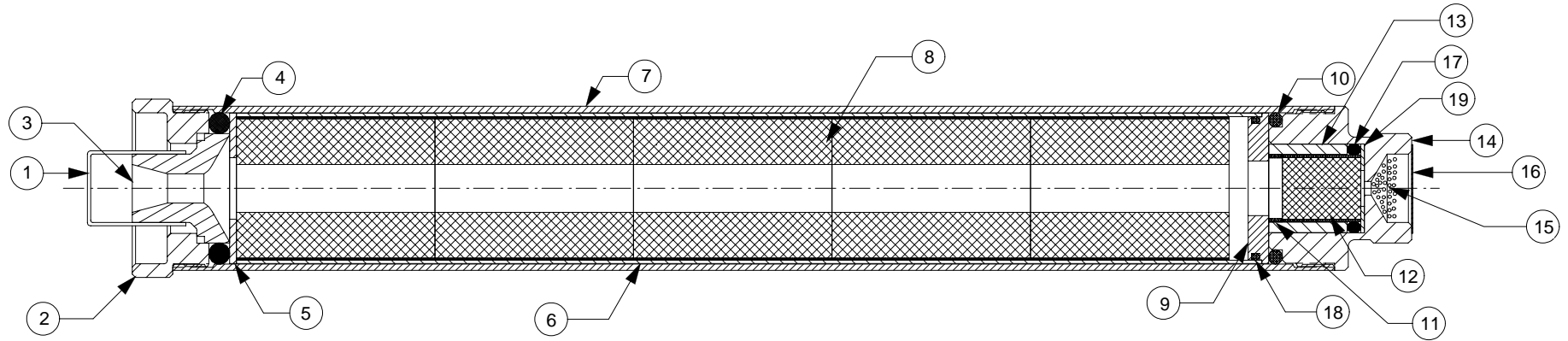
1

REVISIONS

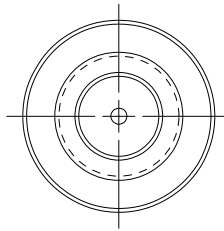
EFFECTIVITY	REV	DESCRIPTION	DATE	APPROVED
FUTURE	A	FIRST RELEASE ISSUE	11 / 12 / 99	
FUTURE	B	RMS-PLUS™ DELAY SYSTEM (SEE E.O.)	1 / 24 / 00	

NOTES:

1. MOTOR ASSEMBLY SHOWN WITH SPECIFIED MOTOR HARDWARE & RELOAD KIT.



VIEW AFT CLOSURE



VIEW FORWARD CLOSURE

1	03350	FWD DELAY SPACER (13/16" O.D. X .031")	19
1	00025	SEAL DISC O-RING (1.313" X 1/16") 025	18
1	00001	DELAY O-RING (15MM I.D. X 3MM THICK)	17
1	05602	EJECTION CHARGE CAP (13/16")	16
1	03700	EJECTION CHARGE (USER SUPPLIED)	15
1	38FCC	FORWARD CLOSURE	14
1	03302	DELAY INSULATOR (.807" O.D. X .719")	13
1	03378	DELAY GRAIN (.61" O.D. X .719")	12
1	03311	AFT DELAY SPACER (.615" O.D. X .125")	11
1	00216	FORWARD O-RING (1 3/8" O.D. X 1/8") 216	10
1	38601	FWD SEAL DISC (1.375" O.D. X .5" I.D. X .188")	9
5	03581	PROPELLANT (1.308" O.D. X 1.815")	8
1	3860C	CASE	7
1	02065-5	PHENOLIC LINER (1.368" O.D. X 9.375")	6
1	05404	AFT INSULATOR(1.375" O.D. X .562" I.D. X 1/16")	5
1	00318	AFT O-RING (1.375" O.D. X 3/16") 318	4
1	01500-6	NOZZLE (F60/G80) DRILLED .266"	3
1	38AC2	AFT CLOSURE L2	2
1	04580	NOZZLE CAP (5/8" I.D.)	1

SUPPLIER DATA		RELOAD KIT IDENTIFICATION		UNLESS OTHERWISE SPECIFIED DIMENSIONS ARE IN INCHES		
AEROTECH INC.		09284L	I284W-L	.XX +/- .010	.XXX +/- .005	ANGLES +/- 2 deg.
				MATERIAL		
				NOTED		
				FINISH		
		PART NUMBER	DESCRIPTION			

CONTRACT NUMBER		LIST OF MATERIAL	
PREP B. ROSENFELD 8 / 99		<p>2113 W. 850 N. Street Cedar City, Utah 84720 (435) 865-7100 (Ph) (435) 865-7120 (Fax)</p>	
CHKR		<p>HP 38/600 MOTOR WITH I284W-L RMS-PLUS™ RELOAD KIT</p>	
APVD	SIZE	NUMBER	<p>ASSY DWG</p>
APVD	A		
SCALE 1 / 1.5		SHEET 1 OF 1	

8

7

6

5

4

3

2

1