

8

7

6

5

4

3

2

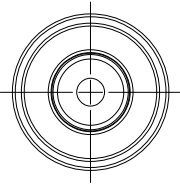
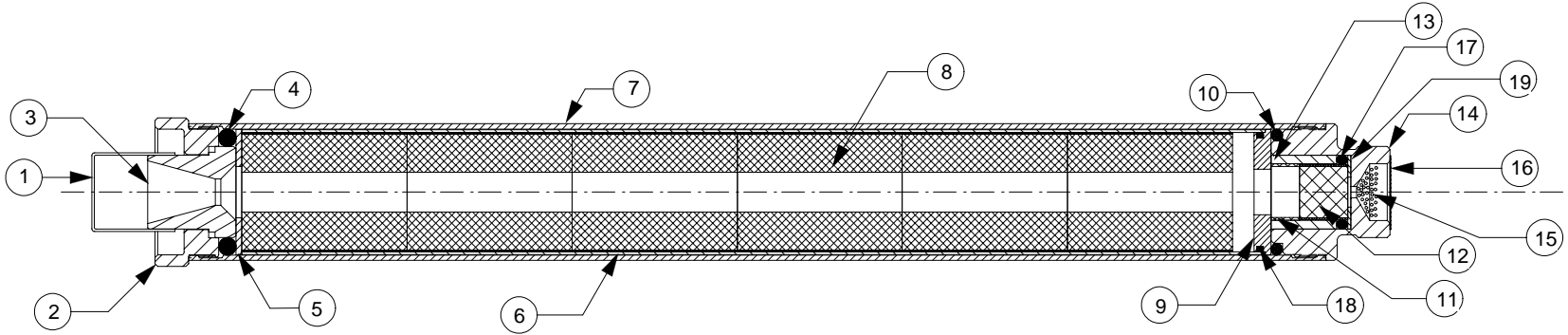
1

REVISIONS

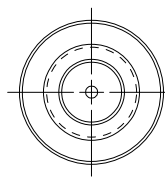
EFFECTIVITY	REV	DESCRIPTION	DATE	APPROVED
FUTURE	A	FIRST RELEASE ISSUE (REDLINE PROPELLANT)	06 / 20 / 01	

NOTES:

- MOTOR ASSEMBLY SHOWN WITH SPECIFIED MOTOR HARDWARE & RELOAD KIT.



VIEW AFT CLOSURE



VIEW FORWARD CLOSURE

1	03350	FWD DELAY SPACER (13/16" O.D. X .031")	19
1	00025	SEAL DISC O-RING (1.313" X 1/16") 025	18
1	00001	DELAY O-RING (15MM I.D. X 3MM THICK)	17
1	05602	EJECTION CHARGE CAP	16
1	03700	EJECTION CHARGE (USER SUPPLIED)	15
1	38FCC	FORWARD CLOSURE	14
1	03302	DELAY INSULATOR (.807" O.D. X .719")	13
1	03367	DELAY GRAIN (.61" O.D. X .532")	12
1	03323	AFT DELAY SPACER (.615" O.D. X .312")	11
1	00216	FORWARD O-RING (1 3/8" O.D. X 1/8") 216	10
1	38601	FWD SEAL DISC (1.375"O.D.X.5" I.D.X.188")	9
6	03581-5	PROPELLANT (1.308" O.D. X 1.815")	8
1	3872C	CASE	7
1	02065-6	PHENOLIC LINER (1.368" O.D. X 11.250")	6
1	05404	AFT INSULATOR(1.375"O.D.X.562" I.D.X1/16")	5
1	00318	AFT O-RING (1.375" O.D. X 3/16") 318	4
1	01550	NOZZLE (NEW L2) UNDRILLED	3
1	38AC2	AFT CLOSURE L2	2
1	041316	NOZZLE CAP (13/16" I.D.)	1

SUPPLIER DATA		RELOAD KIT IDENTIFICATION		UNLESS OTHERWISE SPECIFIED DIMENSIONS ARE IN INCHES		
AEROTECH INC.		10420	J420R	.XX	.XXX	ANGLES
		RDK-17PLUS	RELOAD DELAY KIT (MEDIUM)	+/- .010	+/- .005	+/- 2 deg.
				MATERIAL		
				NOTED		
				FINISH		
		PART NUMBER	DESCRIPTION			

LIST OF MATERIAL		CONTRACT NUMBER	
QTY	PART NUMBER	DESCRIPTION	ITEM
PREP B. ROSENFELD		12 / 00	
CHKR			
APVD		SIZE	NUMBER
APVD		A	ASSY DWG
SCALE 1/2		SHEET 1 OF 1	

AEROTECH
CONSUMER AEROSPACE
2113 W. 850 N. Street
Cedar City, Utah 84720
(435) 865-7100 (Ph)
(435) 865-7120 (Fax)

**HP 38/720 MOTOR WITH J420R
RELOAD KIT & RDK-17PLUS (MEDIUM)**

8

7

6

5

4

3

2

1