

8

7

6

5

4

3

2

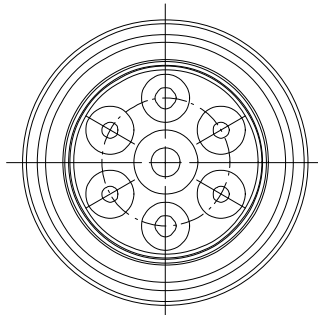
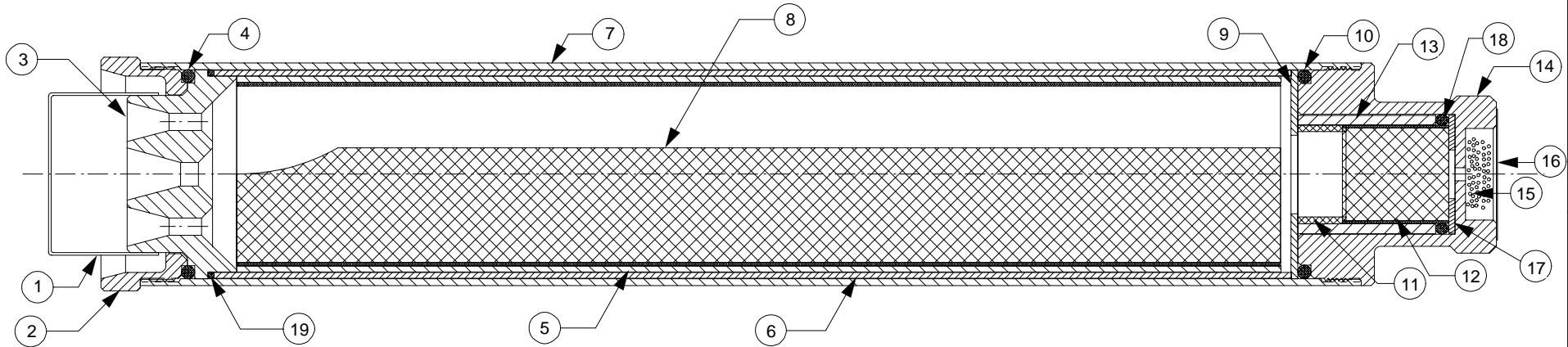
1

### REVISIONS

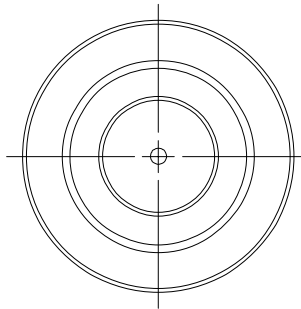
EFFECTIVITY	REV	DESCRIPTION	DATE	APPROVED
FUTURE	A	FIRST RELEASE ISSUE	11 / 12 / 99	
FUTURE	B	RMS-PLUS™ DELAY SYSTEM	01 / 14 / 02	

#### NOTES:

1. MOTOR ASSEMBLY SHOWN WITH SPECIFIED MOTOR HARDWARE & RELOAD KIT.



VIEW AFT CLOSURE



VIEW FORWARD CLOSURE

1	00032	LINER O-RING (2" O.D. X 1/16") 032	19
1	00002	DELAY O-RING (1.17" O.D. X .123")	18
1	03355	FWD DELAY SPACER (1-1/8" O.D. X .062")	17
1	05604	EJECTION CHARGE CAP (1-1/4")	16
1	03700	EJECTION CHARGE (USER SUPPLIED)	15
1	54FCE	FORWARD CLOSURE EXTENDED	14
1	03357	DELAY INSULATOR (1.13" O.D. X 1.315")	13
1	03926	DELAY GRAIN(.933" O.D. X 1.014")	12
1	03952	AFT DELAY SPACER (.94" O.D. X .460")	11
1	00224	FORWARD O-RING (2" O.D. X 1/8") 224	10
1	05406	FORWARD INSULATOR (1.99" O.D. X 1/16")	9
1	03592	PROPELLANT GRAINS (1.75" O.D. X 9.968")	8
1	5412C	CASE	7
1	03000-3	PHENOLIC LINER (1.99" O.D. X 10.280")	6
1	02090	INNER LINER (1.87" O.D. X 9.968")	5
1	00224	AFT O-RING (2" O.D. X 1/8") 224	4
1	01700-3	NOZZLE ( 54MM MEDUSA)1x.228"/ 2x.161"	3
1	54ACC	AFT CLOSURE	2
1	04112	NOZZLE CAP (1.5" I.D.)	1

QTY	PART NUMBER	DESCRIPTION	ITEM
LIST OF MATERIAL			
CONTRACT NUMBER		<b>AEROTECH</b> CONSUMER AEROSPACE 2113 W. 850 N. Street Cedar City, Utah 84720 (435) 865-7100 (Ph) (435) 865-7120 (Fax)	
PREP	B. ROSENFELD		
CHKR			
APVD		SIZE <b>A</b> NUMBER	
APVD		<b>ASSY DWG</b>	
SCALE 1 / 1.5		SHEET 1 OF 1	

#### SUPPLIER DATA

#### RELOAD KIT IDENTIFICATION

UNLESS OTHERWISE SPECIFIED  
DIMENSIONS ARE IN INCHES

.XX    .XXX    ANGLES  
+/- .010    +/- .005    +/- 2 deg.

MATERIAL

NOTED

FINISH

AEROTECH INC.

10135S

J135W-S RMS-PLUS

RDK-34PLUS

RELOAD DELAY KIT (SHORT)

PART NUMBER

DESCRIPTION

8

7

6

5

4

3

2

1