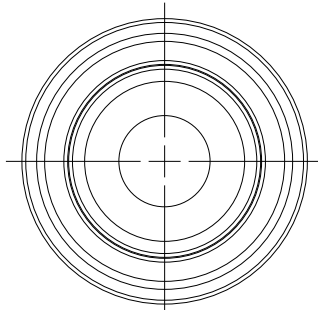
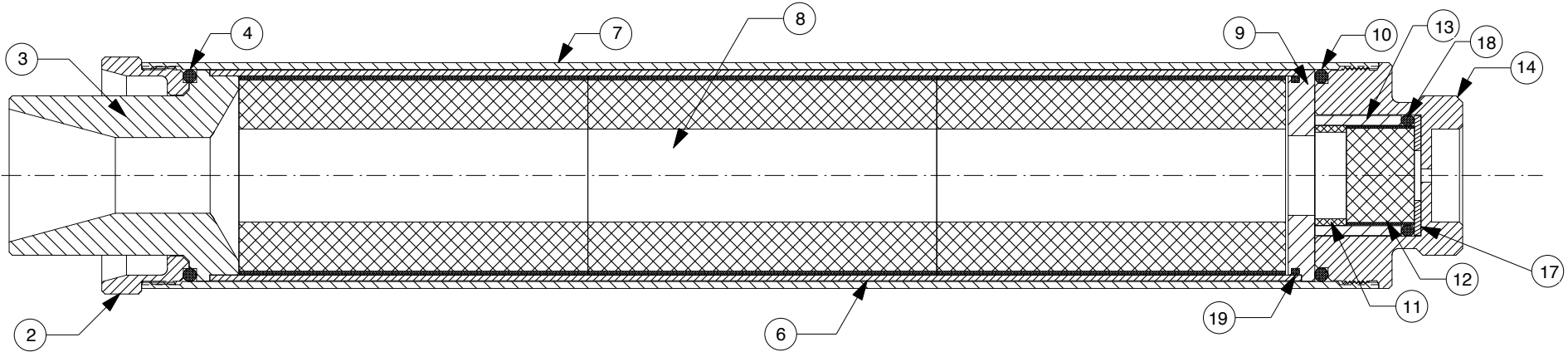


NOTES:

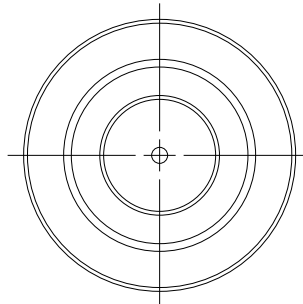
1. MOTOR ASSEMBLY SHOWN WITH SPECIFIED MOTOR HARDWARE & RELOAD KIT.

REVISIONS

EFFECTIVITY	REV	DESCRIPTION	DATE	APPROVED
FUTURE	A	FIRST RELEASE ISSUE	4 / 6 / 06	
FUTURE	B	INCR THROAT DIA TO 0.688, CORE DIA TO 0.813	6 / 14 / 06	
FUTURE	C	INCR THROAT DIA TO 0.713, CORE DIA TO 0.875, NEW SEAL DISK & O-RING, REMOVE LINER O-RING	3 / 22 / 07	



VIEW AFT CLOSURE



VIEW FORWARD CLOSURE

1	00031	FWD SEAL DISK O-RING (1-7/8" O.D. X 1/16") 031	19
1	00002	DELAY O-RING (1.17" O.D. X .123")	18
1	03355	FWD DELAY SPACER (1-1/8" O.D. X .062")	17
			16
			15
1	54FCC	FORWARD CLOSURE (REGULAR)	14
1	03356	DELAY INSULATOR (1.13" O.D. X .815")	13
1	03910	DELAY GRAIN (.933" O.D. X .639")	12
1	03960	AFT DELAY SPACER (.94" O.D. X .299")	11
1	00224	FORWARD O-RING (2" O.D. X 1/8") 224	10
1	54FSD	FORWARD SEAL DISK- 54MM RMS	9
3	03602-9	PROPELLANT GRAINS (1.87" O.D. X 3.285")	8
1	5412C	CASE	7
1	03000-3	PHENOLIC LINER (1.99" O.D. X 10.280")	6
			5
1	00224	AFT O-RING (2" O.D. X 1/8") 224	4
1	01670-6	54MM H/P NOZZLE (.713" DT DRILLED)	3
1	54ACC	AFT CLOSURE	2
			1

SUPPLIER DATA

RELOAD KIT IDENTIFICATION

UNLESS OTHERWISE SPECIFIED DIMENSIONS ARE IN INCHES

AEROTECH/RCS RMS INC. 10199P J1999N-P

.XX +/- .010 .XXX +/- .005 ANGLES +/- 2 deg.

MATERIAL

NOTED

FINISH

PART NUMBER

DESCRIPTION

QTY	PART NUMBER	DESCRIPTION	ITEM
-----	-------------	-------------	------

RCS ROCKET MOTOR COMPONENTS, INC. 2113 W. 850 N. Street Cedar City, Utah 84720 (435) 865-7100 (Ph) (435) 865-7120 (Fax)

PREP G. ROSENFELD 4 / 06

HP 54/1280 MOTOR WITH J1999N-P RMS-PLUS™ RELOAD KIT

CHKR APVD APVD

SIZE **A** NUMBER **ASSY DWG**

SCALE 1 / 1.5

SHEET 1 OF 1

8

7

6

5

4

3

2

1