

8

7

6

5

4

3

2

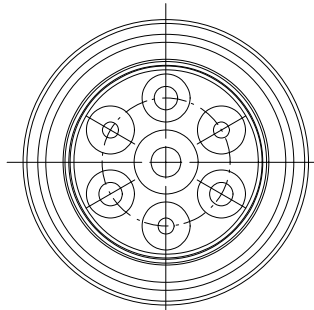
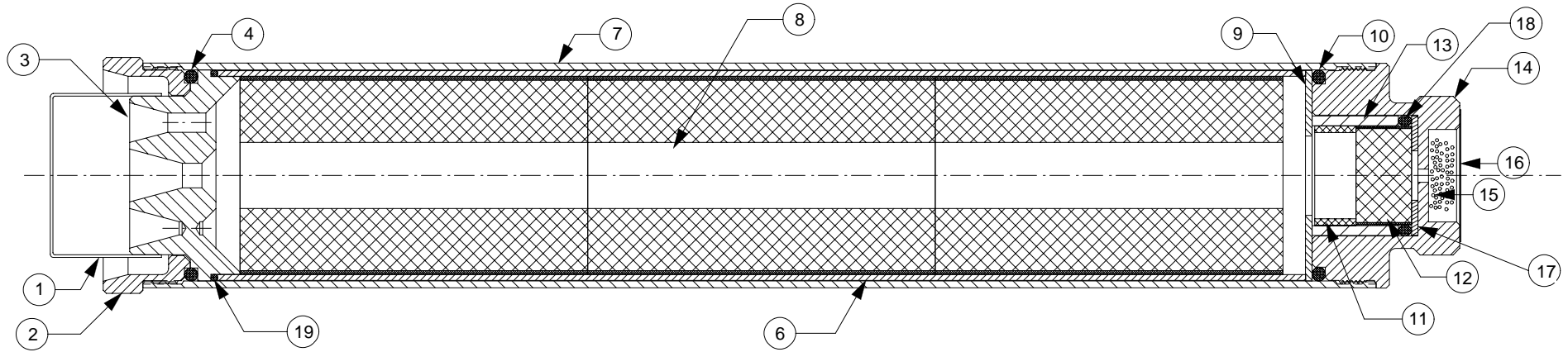
1

### REVISIONS

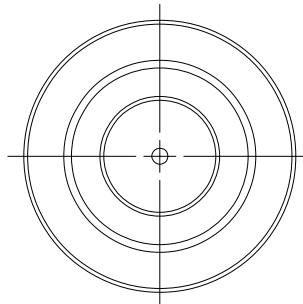
EFFECTIVITY	REV	DESCRIPTION	DATE	APPROVED
FUTURE	A	FIRST RELEASE ISSUE (REDLINE PROPELLANT)	06 / 20 / 01	

#### NOTES:

1. MOTOR ASSEMBLY SHOWN WITH SPECIFIED MOTOR HARDWARE & RELOAD KIT.



VIEW AFT CLOSURE



VIEW FORWARD CLOSURE

1	00032	LINER O-RING (2" O.D. X 1/16") 032	19
1	00002	DELAY O-RING (1.17" O.D. X .123")	18
1	03355	FWD DELAY SPACER (1-1/8" O.D. X .062")	17
1	05604	EJECTION CHARGE CAP (1-1/4")	16
1	03700	EJECTION CHARGE (USER SUPPLIED)	15
1	54FCC	FORWARD CLOSURE (REGULAR)	14
1	03356	DELAY INSULATOR (1.13" O.D. X .815")	13
1	03903	DELAY GRAIN (.933" O.D. X .524")	12
1	03954	AFT DELAY SPACER (.94" O.D. X .391)	11
1	00224	FORWARD O-RING (2" O.D. X 1/8") 224	10
1	05406	FORWARD INSULATOR (1.99" O.D. X 1/16")	9
3	03601-3	PROPELLANT GRAINS (1.87" O.D. X 3.285")	8
1	5412C	CASE	7
1	03000-3	PHENOLIC LINER (1.99" O.D. X 10.280")	6
NA		INNER LINER	5
1	00224	AFT O-RING (2" O.D. X 1/8") 224	4
1	01700-6	NOZZLE ( 54MM MEDUSA)1x.234"/ 3x.182")	3
1	54ACC	AFT CLOSURE	2
1	04112	NOZZLE CAP (1.5" I.D.)	1

SUPPLIER DATA		RELOAD KIT IDENTIFICATION		UNLESS OTHERWISE SPECIFIED DIMENSIONS ARE IN INCHES		
AEROTECH INC.		10540	J540R	.XX	.XXX	ANGLES
		RDK-37PLUS	RELOAD DELAY KIT (SHORT)	+/- .010	+/- .005	+/- 2 deg.
				MATERIAL		
				NOTED		
				FINISH		
		PART NUMBER	DESCRIPTION			

LIST OF MATERIAL		CONTRACT NUMBER	
PREP	B. ROSENFELD	5 / 01	
CHKR			
APVD			
APVD			

**AEROTECH**  
CONSUMER AEROSPACE  
2113 W. 850 N. Street  
Cedar City, Utah 84720  
(435) 865-7100 (Ph)  
(435) 865-7120 (Fax)

**HP 54/1280 MOTOR WITH J540R RELOAD KIT & RDK-37PLUS (SHORT)**

SIZE **A** NUMBER **ASSY DWG**

SCALE 1 / 1.5

SHEET 1 OF 1

8

7

6

5

4

3

2

1