

8

7

6

5

4

3

2

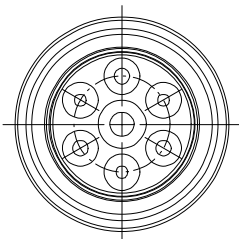
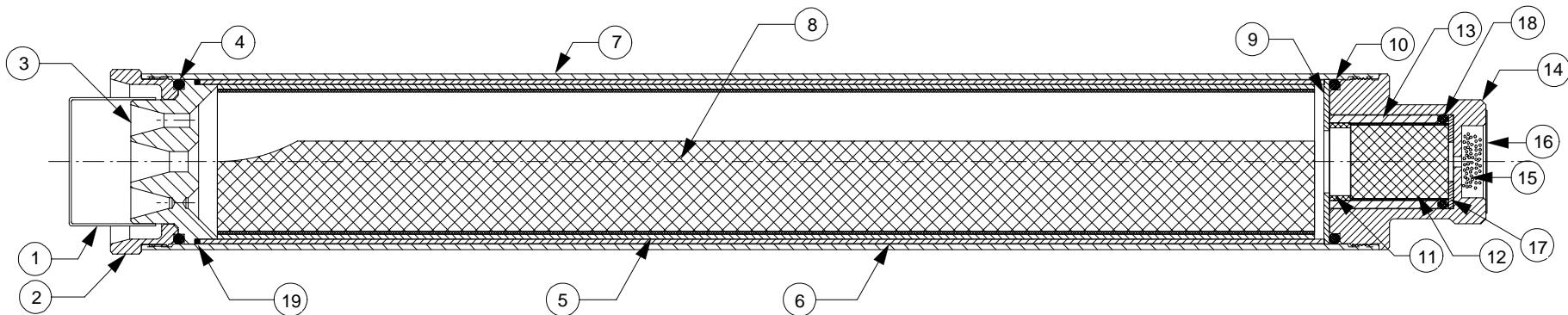
1

NOTES:

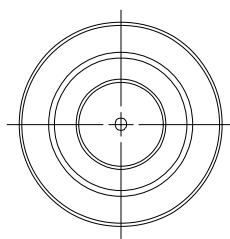
1. MOTOR ASSEMBLY SHOWN WITH SPECIFIED MOTOR HARDWARE & RELOAD KIT.

REVISIONS

EFFECTIVITY	REV	DESCRIPTION	DATE	APPROVED
FUTURE	A	FIRST RELEASE ISSUE	11 / 12 / 99	
FUTURE	B	RMS-PLUS™ DELAY SYSTEM	01 / 14 / 02	



VIEW AFT CLOSURE



VIEW FORWARD CLOSURE

1	00032	LINER O-RING (2" O.D. X 1/16") 032	19
1	00002	DELAY O-RING (1.17" O.D. X .123")	18
1	03355	FWD DELAY SPACER (1-1/8" O.D. X .062")	17
1	05604	EJECTION CHARGE CAP (1-1/4")	16
1	03700	EJECTION CHARGE (USER SUPPLIED)	15
1	54FCE	FORWARD CLOSURE EXTENDED	14
1	03357	DELAY INSULATOR (1.13" O.D. X 1.315")	13
1	03930	DELAY GRAIN (.933" O.D. X 1.175")	12
1	03962	AFT DELAY SPACER (.94" O.D. X .253")	11
1	00224	FORWARD O-RING (2" O.D. X 1/8") 224	10
1	05406	FORWARD INSULATOR (1.99" O.D. X 1/16")	9
1	03593	PROPELLANT GRAINS (1.75" O.D. X 13.280")	8
1	5417C	CASE	7
1	03000-4	PHENOLIC LINER (1.99" O.D. X 13.610")	6
1	02095	INNER LINER (1.87" O.D. X 13.280")	5
1	00224	AFT O-RING (2" O.D. X 1/8") 224	4
1	01700-9	NOZZLE (54MM MEDUSA)1x.250"/ 3x.161"	3
1	54ACC	AFT CLOSURE	2
1	04112	NOZZLE CAP (1.5" I.D.)	1

QTY	PART NUMBER	DESCRIPTION	ITEM
LIST OF MATERIAL			
CONTRACT NUMBER		<p>AEROTECH CONSUMER AEROSPACE</p> <p>2113 W. 850 N. Street Cedar City, Utah 84720 (435) 865-7100 (Ph) (435) 865-7120 (Fax)</p>	
PREP	B. ROSENFELD	8 / 99	<p>HP 54/1706 MOTOR WITH K185W-L RMS-PLUS™ RELOAD KIT</p>
CHKR			
APVD		SIZE A	<p>NUMBER ASSY DWG</p>
APVD		SCALE 1 / 2	

SUPPLIER DATA		RELOAD KIT IDENTIFICATION		UNLESS OTHERWISE SPECIFIED DIMENSIONS ARE IN INCHES		
AEROTECH INC.		11185L	K185W-L RMS-PLUS	.XX	.XXX	ANGLES
		RDK-36PLUS	RELOAD DELAY KIT (LONG)	+/- .010	+/- .005	+/- 2 deg.
				MATERIAL	NOTED	
				FINISH		
		PART NUMBER	DESCRIPTION			

8

7

6

5

4

3

2

1