

8

7

6

5

4

3

2

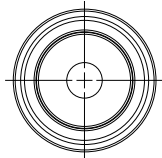
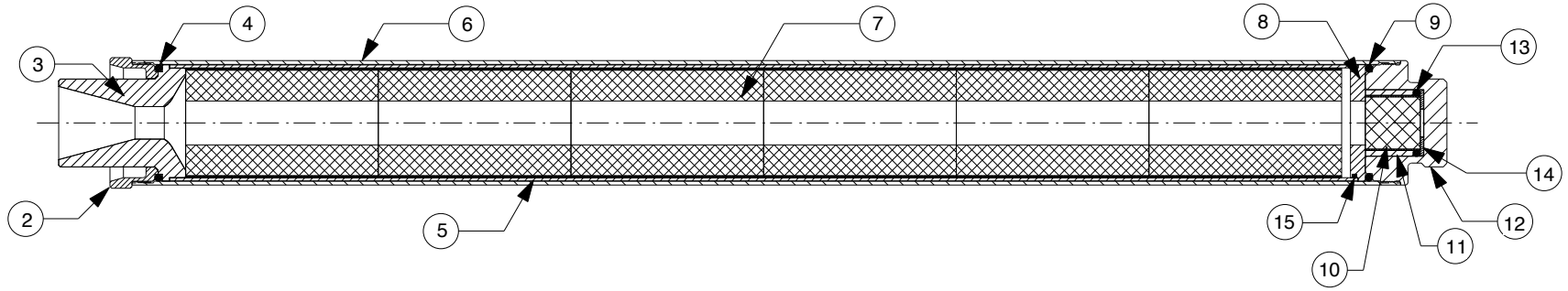
1

NOTES:

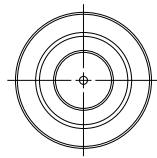
1. MOTOR ASSEMBLY SHOWN WITH SPECIFIED MOTOR HARDWARE & RELOAD KIT.

REVISIONS

EFFECTIVITY	REV	DESCRIPTION	DATE	APPROVED
FUTURE	A	FIRST RELEASE ISSUE	4 / 4 / 00	
FUTURE	B	RMS-PLUS™ DELAY SYSTEM	01 / 11 / 02	
FUTURE	C	PER EO 'C', NEW HIGH POWER NOZZLE	8 / 19 / 04	
FUTURE	D	PER EO 'D', NEW SEAL DISK & O-RING, REMOVE LINER O-RING	3 / 26 / 07	



VIEW AFT CLOSURE



VIEW FORWARD CLOSURE

QTY	PART NUMBER	DESCRIPTION	ITEM
1	00031	FWD SEAL DISK O-RING (1-7/8" O.D. X 1/16") 031	15
1	03355	FWD SMOKE SPACER (1-1/8" O.D. X .062")	14
1	00002	SMOKE O-RING (1.17" O.D. X .123")	13
1	54FCP	FORWARD CLOSURE (PLUGGED)	12
1	03356	SMOKE CHG INSULATOR (1.13" O.D. X .815")	11
1	03924	SMOKE CHARGE(.933" O.D. X .938")	10
1	00224	FORWARD O-RING (2" O.D. X 1/8") 224	9
1	54FSD	FORWARD SEAL DISK- 54MM RMS	8
6	03602	PROPELLANT GRAINS (1.87" O.D. X 3.285")	7
1	5425C	CASE	6
1	03000-6	PHENOLIC LINER (1.99" O.D. X 20.270")	5
1	00224	AFT O-RING (2" O.D. X 1/8") 224	4
1	01670-5	54MM H/P NOZZLE (.555" DT DRILLED)	3
1	54ACC	AFT CLOSURE	2
NA		NOZZLE CAP (1.5" I.D.)	1

SUPPLIER DATA		RELOAD KIT IDENTIFICATION		UNLESS OTHERWISE SPECIFIED DIMENSIONS ARE IN INCHES		
AEROTECH/RCS RMC INC.		11700P	K700W-P	.XX +/- .010	.XXX +/- .005	ANGLES +/- 2 deg.
				MATERIAL		
				NOTED		
				FINISH		
		PART NUMBER	DESCRIPTION			

LIST OF MATERIAL

CONTRACT NUMBER

PREP B. ROSENFELD 8 / 99

CHKR

HP 54/2560 MOTOR WITH K700W-P RMS-PLUS™ RELOAD KIT

SIZE **A** NUMBER **ASSY DWG**

SCALE 1 / 3

SHEET 1 OF 1

RCS ROCKET MOTOR COMPONENTS™

2113 W. 850 N. Street
Cedar City, Utah 84720
(435) 865-7100 (Ph)
(435) 865-7120 (Fax)

8

7

6

5

4

3

2

1