

8

7

6

5

4

3

2

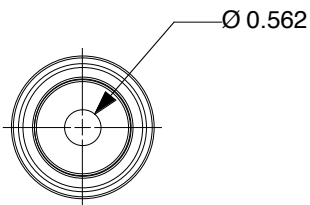
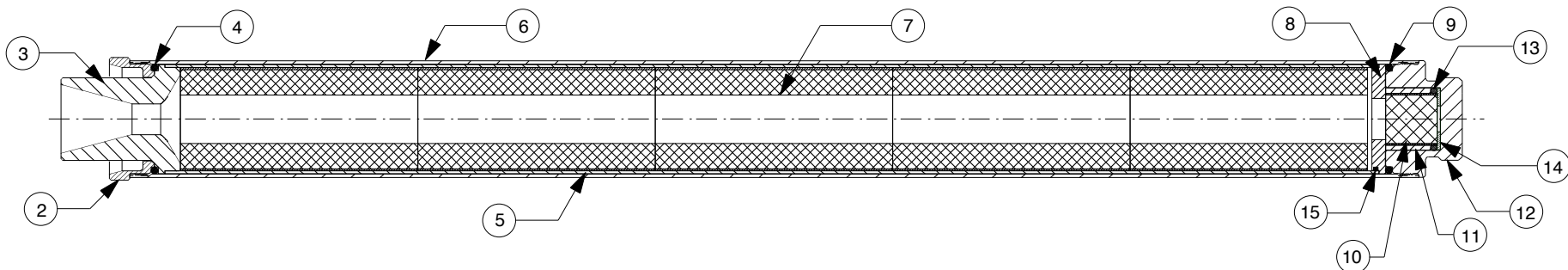
1

NOTES:

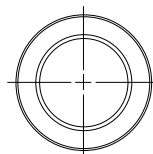
1. MOTOR ASSEMBLY SHOWN WITH SPECIFIED MOTOR HARDWARE & RELOAD KIT.

REVISIONS

EFFECTIVITY	REV	DESCRIPTION	DATE	APPROVED
FUTURE	A	FIRST RELEASE ISSUE	1 / 5 / 00	
FUTURE	B	PER EO "B", NEW BULKHEAD AND HP NOZZLE	2 / 24 / 05	
FUTURE	C	CHANGE TO RMS-542800 RELOADABLE DESIGN	6 / 9 / 08	




VIEW AFT CLOSURE



VIEW FORWARD CLOSURE

QTY	PART NUMBER	DESCRIPTION	ITEM
1	00031	FWD SEAL DISK O-RING (1-7/8" O.D. X 1/16") 031	15
1	03355	FWD SMOKE SPACER (1-1/8" O.D. X .062")	14
1	00002	SMOKE O-RING (1.17" O.D. X .123")	13
1	54FCP	FORWARD CLOSURE (PLUGGED)	12
1	03356	SMOKE CHG INSULATOR (1.13" O.D. X .815")	11
1	03924	SMOKE CHARGE(.933" O.D. X .938")	10
1	00224	FORWARD O-RING (2" O.D. X 1/8") 224	9
1	54FSD	FORWARD SEAL DISK- 54MM RMS	8
5	03604-1	PROPELLANT GRAINS (1.87" O.D. X 4.32")	7
1	5428C-901	CASE (2.125" O.D. X 23.454" LONG)	6
1	03000-10	PHENOLIC LINER (1.99" O.D. X 22.084")	5
1	00224	AFT O-RING (2" O.D. X 1/8") 224	4
1	01670-2	HP 54MM NOZZLE (DT = .562" DRILLED)	3
1	54ACC	AFT CLOSURE	2
	N/A	NOZZLE CAP (1.5" I.D.)	1

SUPPLIER DATA		RELOAD KIT IDENTIFICATION		UNLESS OTHERWISE SPECIFIED DIMENSIONS ARE IN INCHES			LIST OF MATERIAL		
AEROTECH DIV RCS RMC, INC		11105P		K1050W-P			N/A		
				.XX +/- .010			QTY PART NUMBER DESCRIPTION ITEM		
				.XXX +/- .005			CONTRACT NUMBER		
				ANGLES +/- 2 deg.			 2113 W. 850 N. Street Cedar City, Utah 84720 (435) 865-7100 (Ph) (435) 865-7120 (Fax)		
				MATERIAL			PREP G. ROSENFELD 6 / 08 CHKR		
				NOTED			HP 54MM MOTOR WITH K1050W-P RELOAD KIT		
				FINISH			APVD APVD		
		PART NUMBER		DESCRIPTION			SIZE A NUMBER ASSY DWG		
							SCALE 1 / 3 SHEET 1 OF 1		

8

7

6

5

4

3

2

1