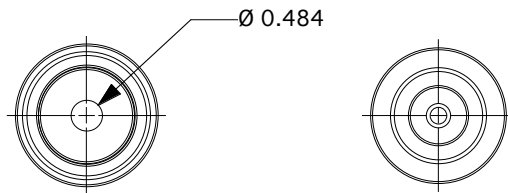
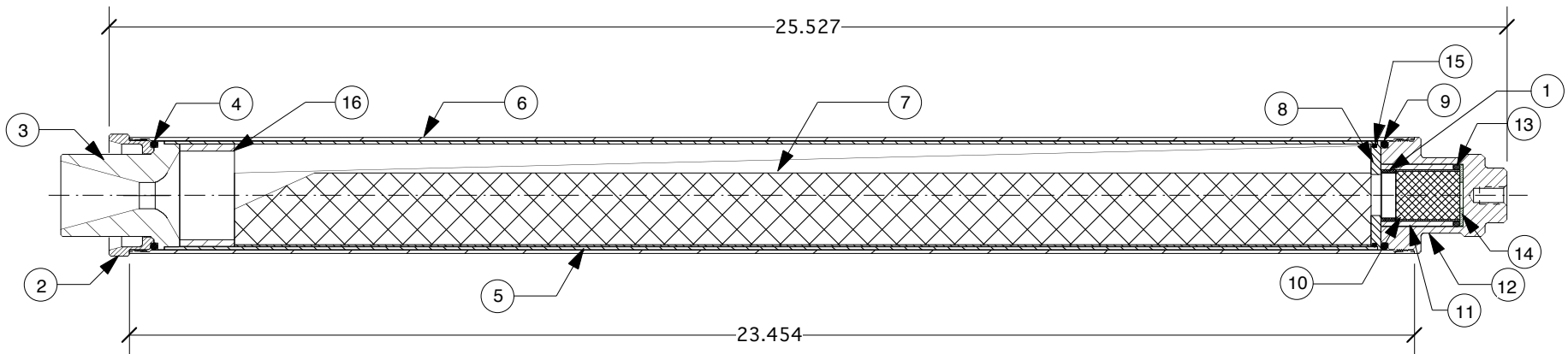


NOTES:

1. MOTOR ASSEMBLY SHOWN WITH SPECIFIED MOTOR HARDWARE & RELOAD KIT.

REVISIONS

EFFECTIVITY	REV	DESCRIPTION	DATE	APPROVED
FUTURE	A	FIRST RELEASE ISSUE	1 / 5 / 00	
FUTURE	B	PER EO "B", NEW BULKHEAD AND HP NOZZLE	2 / 24 / 05	
FUTURE	C	PER EO "C", LOADABLE MOTOR SYSTEM	12 / 07 / 05	
FUTURE	D	PER EO "D", NUMEROUS CHANGES	3 / 17 / 06	



VIEW AFT CLOSURE

VIEW FORWARD CLOSURE

QTY	PART NUMBER	DESCRIPTION	ITEM
1	03108	GRAIN SPACER (1.87 O.D. X 1.62 I.D. X 1.0)	17
1	00031	SEAL DISK O-RING (1-7/8" O.D. X 1/16") 031	15
1	03355	FWD SMOKE SPACER (1-1/8" O.D. X .062")	14
1	00002	SMOKE O-RING (1.17" O.D. X .123")	13
1	54FCEPT	FORWARD CLOSURE, EXT (PLUG & TAPPED)	12
1	03357	SMOKE CHG INSULATOR (1.13" O.D. X 1.315")	11
1	03930	SMOKE CHARGE(.933" O.D. X 1.175")	10
1	00224	FORWARD O-RING (2" O.D. X 1/8") 224	9
1	54FSD	FORWARD SEAL DISK	8
1	03613-501	PROPELLANT GRAIN (1.87" O.D. X 20.75")	7
1	54K250	CASE (2.125" O.D. X 23.454" LONG)	6
1	03000-K250	PHENOLIC LINER (1.99" O.D. X 22.147")	5
1	00224	AFT O-RING (2" O.D. X 1/8") 224	4
1	01670-1	HP 54MM NOZZLE (DT = .484 SHOWN)	3
1	54ACC	AFT CLOSURE	2
1	03962	AFT DELAY SPACER (.94" O.D. X .253")	1

SUPPLIER DATA		RELOAD KIT IDENTIFICATION	
AEROTECH	11250W-P	K250W-P	LOADABLE MOTOR SYSTEM
UNLESS OTHERWISE SPECIFIED DIMENSIONS ARE IN INCHES			
		.XX +/- .010	.XXX +/- .005
		ANGLES +/- 2 deg.	
		MATERIAL	
		NOTED	
		FINISH	
		PART NUMBER	
		DESCRIPTION	

LIST OF MATERIAL			
CONTRACT NUMBER		2113 W. 850 N. Street Cedar City, Utah 84720 (435) 865-7100 (Ph) (435) 865-7120 (Fax)	
PREP	G. ROSENFELD	4 / 06	HP 54MM S/U K250W-P LOADABLE MOTOR SYSTEM
CHKR			
APVD			
APVD		SIZE	NUMBER
		A	ASSY DWG
		SCALE	SHEET
		1 / 3	1 OF 1