

8

7

6

5

4

3

2

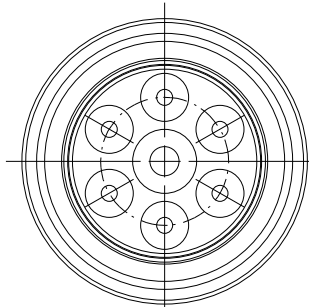
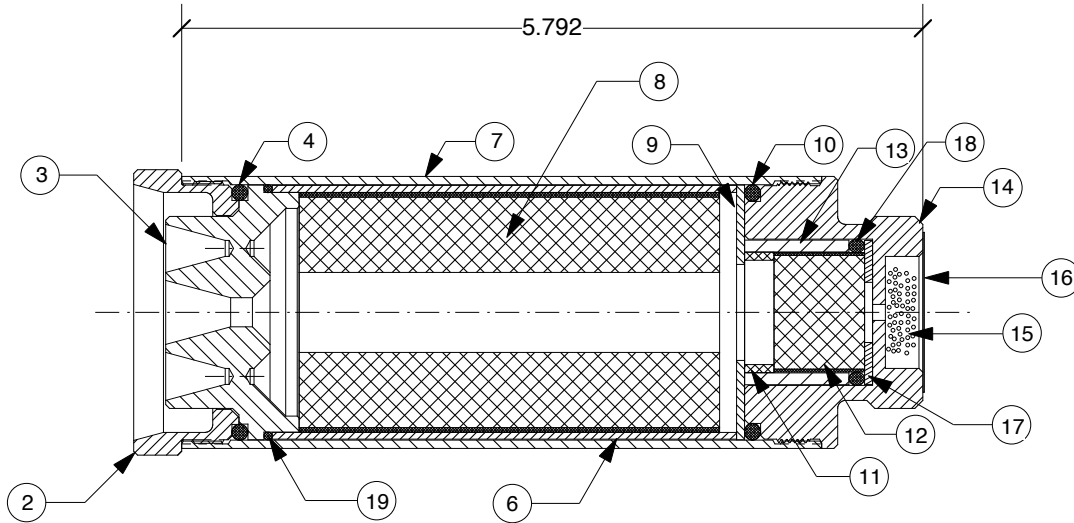
1

REVISIONS

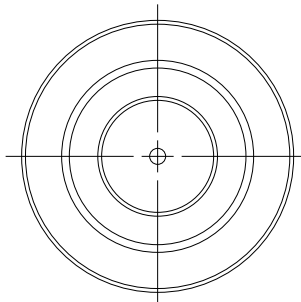
EFFECTIVITY	REV	DESCRIPTION	DATE	APPROVED
FUTURE	A	FIRST RELEASE ISSUE	7/2/07	

NOTES:

1. MOTOR ASSEMBLY SHOWN WITH SPECIFIED MOTOR HARDWARE & RELOAD KIT.



VIEW AFT CLOSURE



VIEW FORWARD CLOSURE

1	00032	LINER O-RING (2" O.D. X 1/16") 032	19
1	00002	DELAY O-RING (1.17" O.D. X .123")	18
1	03355	FWD DELAY SPACER (1-1/8" O.D. X .062")	17
1	05604	EJECTION CHARGE CAP (1-1/4")	16
1	03700	EJECTION CHARGE (USER SUPPLIED)	15
1	54FCC	FORWARD CLOSURE (REGULAR)	14
1	03356	DELAY INSULATOR (1.13" O.D. X .815")	13
1	03914	DELAY GRAIN (.933" O.D. X .708")	12
1	03964	AFT DELAY SPACER (.94" O.D. X .230")	11
1	00224	FORWARD O-RING (2" O.D. X 1/8") 224	10
1	05406	FORWARD INSULATOR (1.99" O.D. X 1/16")	9
1	03601	PROPELLANT GRAIN (1.870" O.D. X 3.285")	8
1	5442C	54/426 CASE	7
1	03000-1	PHENOLIC LINER (1.99" O.D. X 3.627")	6
			5
1	00224	AFT O-RING (2" O.D. X 1/8") 224	4
1	01700-15	NOZZLE (54MM MEDUSA) 1 X .228C	3
1	54ACC	AFT CLOSURE	2

SUPPLIER DATA

AEROTECH/RCS RMC INC.

RELOAD KIT IDENTIFICATION

09115M

I115W-M

UNLESS OTHERWISE SPECIFIED DIMENSIONS ARE IN INCHES

.XX +/- .010	.XXX +/- .005	ANGLES +/- 2 deg.
-----------------	------------------	----------------------

MATERIAL

NOTED

FINISH

QTY PART NUMBER DESCRIPTION ITEM

LIST OF MATERIAL

CONTRACT NUMBER



2113 W. 850 N. Street
Cedar City, Utah 84720
(435) 865-7100 (Ph)
(435) 865-7120 (Fax)

PREP G. ROSENFELD 7/07

CHKR

**HP 54/426 MOTOR WITH I115W-M
RMS-PLUS™ RELOAD KIT**

APVD

APVD

SIZE NUMBER

A

ASSY DWG

SCALE 1/1.5

SHEET 1 OF 1

8

7

6

5

4

3

2

1