

8

7

6

5

4

3

2

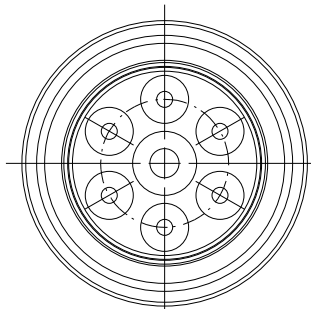
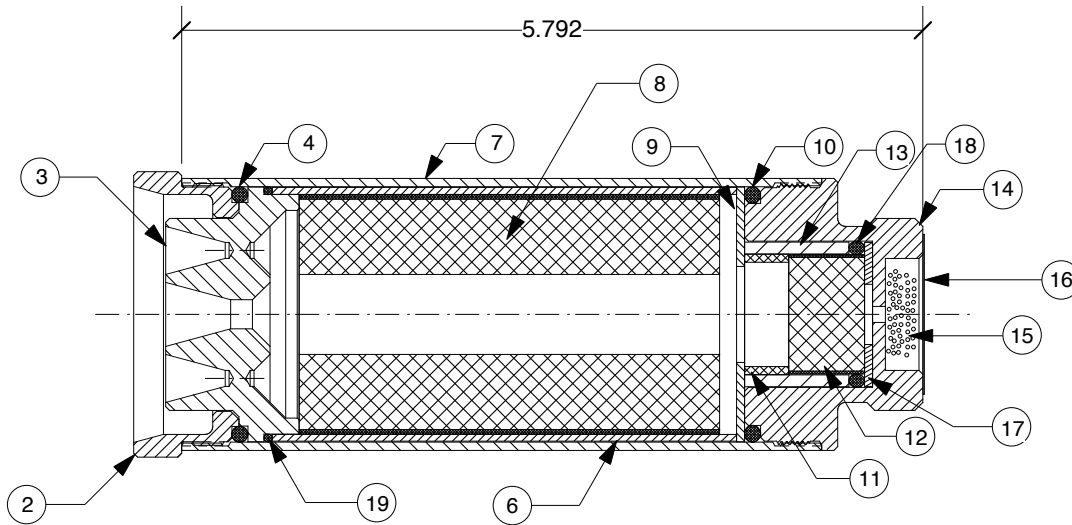
1

### REVISIONS

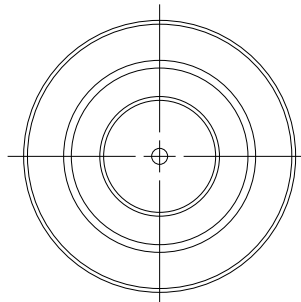
EFFECTIVITY	REV	DESCRIPTION	DATE	APPROVED
FUTURE	A	FIRST RELEASE ISSUE	7/2/07	

#### NOTES:

1. MOTOR ASSEMBLY SHOWN WITH SPECIFIED MOTOR HARDWARE & RELOAD KIT.



VIEW AFT CLOSURE




VIEW FORWARD CLOSURE

1	00032	LINER O-RING (2" O.D. X 1/16") 032	19
1	00002	DELAY O-RING (1.17" O.D. X .123")	18
1	03355	FWD DELAY SPACER (1-1/8" O.D. X .062")	17
1	05604	EJECTION CHARGE CAP (1-1/4")	16
1	03700	EJECTION CHARGE (USER SUPPLIED)	15
1	54FCC	FORWARD CLOSURE (REGULAR)	14
1	03356	DELAY INSULATOR (1.13" O.D. X .815")	13
1	03906	DELAY GRAIN (.933" O.D. X .593")	12
1	03956	AFT DELAY SPACER (.94" O.D. X .345")	11
1	00224	FORWARD O-RING (2" O.D. X 1/8") 224	10
1	05406	FORWARD INSULATOR (1.99" O.D. X 1/16")	9
1	03601-3	PROPELLANT GRAIN (1.870" O.D. X 3.285")	8
1	5442C	54/426 CASE	7
1	03000-1	PHENOLIC LINER (1.99" O.D. X 3.627")	6
			5
1	00224	AFT O-RING (2" O.D. X 1/8") 224	4
1	01700-15	NOZZLE (54MM MEDUSA) 1 X .228C	3
1	54ACC	AFT CLOSURE	2

QTY	PART NUMBER	DESCRIPTION	ITEM
-----	-------------	-------------	------

#### LIST OF MATERIAL

CONTRACT NUMBER		 <p>2113 W. 850 N. Street Cedar City, Utah 84720 (435) 865-7100 (Ph) (435) 865-7120 (Fax)</p>
PREP	G. ROSENFELD	
CHKR	7 / 07	<p><b>HP 54/426 MOTOR WITH I215R-M RMS-PLUS™ RELOAD KIT</b></p>
APVD		<p>SIZE <b>A</b> NUMBER</p>
APVD		<p><b>ASSY DWG</b></p>
SCALE 1 / 1.5		SHEET 1 OF 1

SUPPLIER DATA		RELOAD KIT IDENTIFICATION		UNLESS OTHERWISE SPECIFIED DIMENSIONS ARE IN INCHES		
AEROTECH/RCS RMC INC.		09215M	I215R-M	.XX +/- .010	.XXX +/- .005	ANGLES +/- 2 deg.
				MATERIAL		
				NOTED		
				FINISH		
		<b>PART NUMBER</b>	<b>DESCRIPTION</b>			

8

7

6

5

4

3

2

1