

8

7

6

5

4

3

2

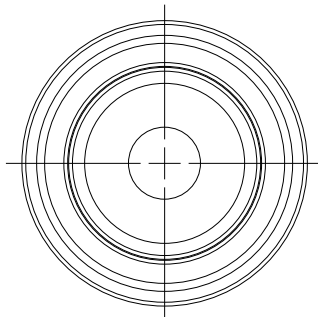
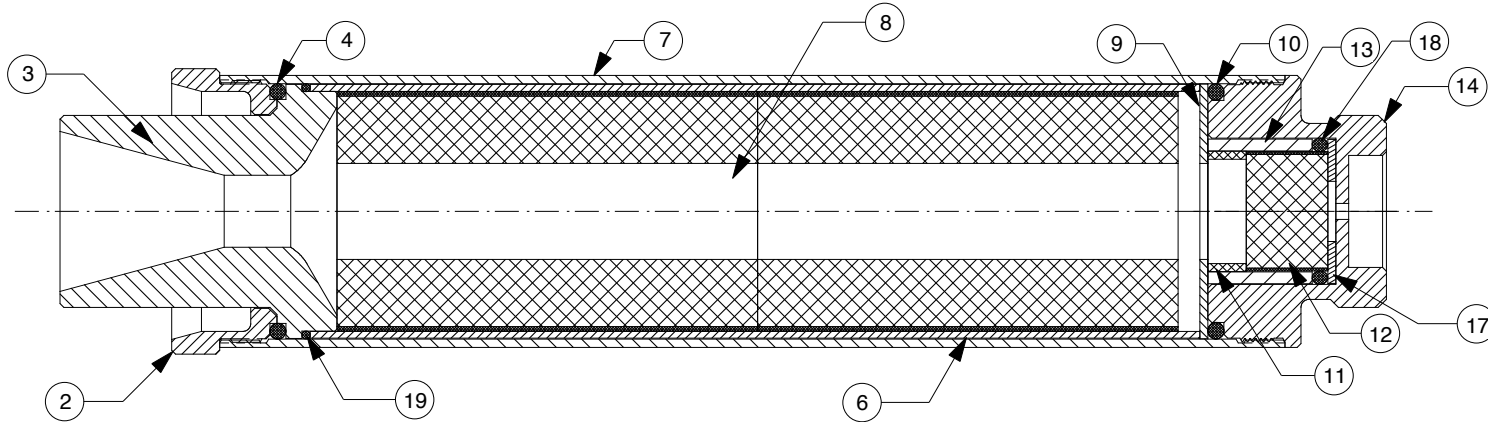
1

REVISIONS

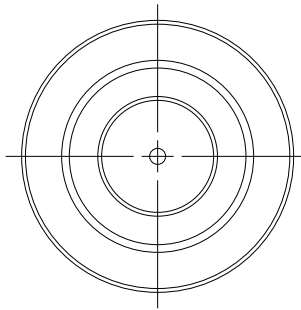
EFFECTIVITY	REV	DESCRIPTION	DATE	APPROVED
FUTURE	A	FIRST RELEASE ISSUE	4 / 7 / 06	
FUTURE	B	CHANGED NAME TO J1299N-P, INCR. THROAT DIAMETER FROM 0.484 TO 0.562	3 / 22 / 07	

NOTES:

1. MOTOR ASSEMBLY SHOWN WITH SPECIFIED MOTOR HARDWARE & RELOAD KIT.




VIEW AFT CLOSURE



VIEW FORWARD CLOSURE

1	00032	LINER O-RING (2" O.D. X 1/16") 032	19
1	00002	DELAY O-RING (1.17" O.D. X .123")	18
1	03355	FWD DELAY SPACER (1-1/8" O.D. X .062")	17
			16
			15
1	54FCC	FORWARD CLOSURE (REGULAR)	14
1	03356	DELAY INSULATOR (1.13" O.D. X .815")	13
1	03910	DELAY GRAIN (.933" O.D. X .639")	12
1	03960	AFT DELAY SPACER (.94" O.D. X .299")	11
1	00224	FORWARD O-RING (2" O.D. X 1/8") 224	10
1	05406	FORWARD INSULATOR (1.99" O.D. X 1/16")	9
2	03602-8	PROPELLANT GRAINS (1.870" O.D. X 3.285")	8
1	5485C	CASE	7
1	03000-2	PHENOLIC LINER (1.99" O.D. X 6.950")	6
NA		INNER LINER	5
1	00224	AFT O-RING (2" O.D. X 1/8") 224	4
1	01670-2	54MM HP NOZZLE (.562" DT DRILLED)	3
1	54ACC	AFT CLOSURE	2
1		NOZZLE CAP (1.5" I.D.)	1

QTY	PART NUMBER	DESCRIPTION	ITEM
LIST OF MATERIAL			
CONTRACT NUMBER		 2113 W. 850 N. Street Cedar City, Utah 84720 (435) 865-7100 (Ph) (435) 865-7120 (Fax)	
PREP	G. ROSENFELD		
CHKR			
NOTED		HP 54/852 MOTOR WITH J1299N-P RMS-PLUS™ RELOAD KIT	
FINISH			
APVD		SIZE	NUMBER
APVD		A	ASSY DWG
SCALE 1 / 1.5		SHEET 1 OF 1	

SUPPLIER DATA		RELOAD KIT IDENTIFICATION		UNLESS OTHERWISE SPECIFIED DIMENSIONS ARE IN INCHES	
AEROTECH/RCS RMC INC.		10129P	J1299N-P	.XX +/- .010	.XXX +/- .005
				ANGLES +/- 2 deg.	
				MATERIAL	
				NOTED	
				FINISH	
		PART NUMBER	DESCRIPTION		

8

7

6

5

4

3

2

1