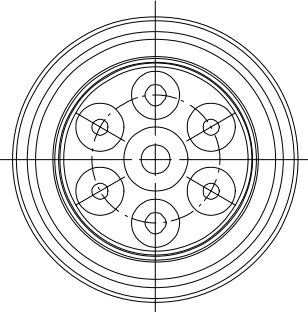
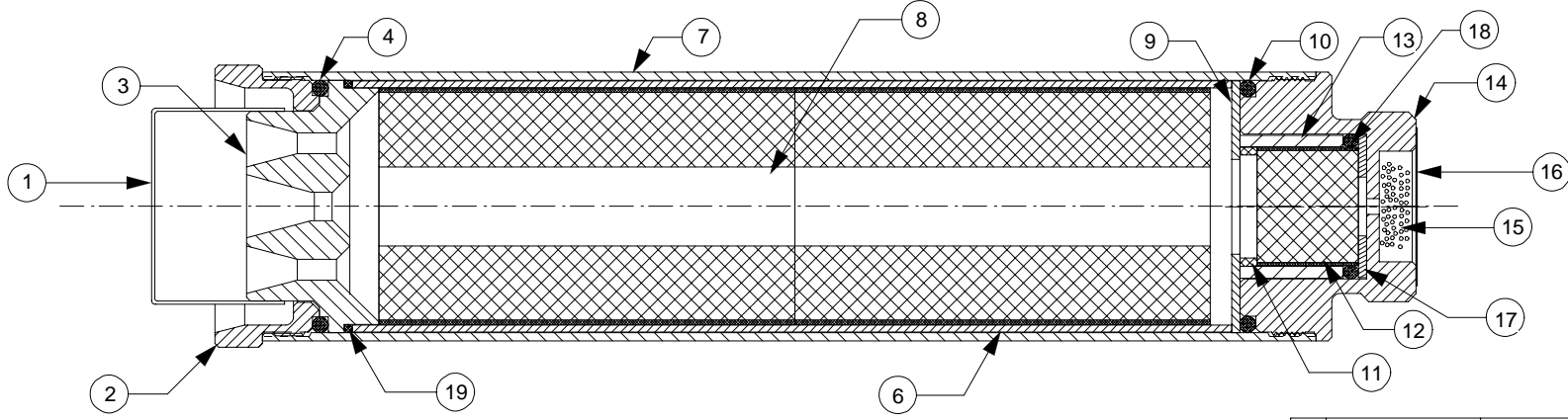


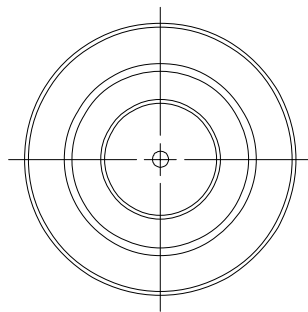
REVISIONS				
EFFECTIVITY	REV	DESCRIPTION	DATE	APPROVED
FUTURE	A	FIRST RELEASE ISSUE	11 / 12 / 99	
FUTURE	B	RMS-PLUS™ DELAY SYSTEM	01 / 11 / 02	

**NOTES:**

1. MOTOR ASSEMBLY SHOWN WITH SPECIFIED MOTOR HARDWARE & RELOAD KIT.



VIEW AFT CLOSURE



VIEW FORWARD CLOSURE

QTY	PART NUMBER	DESCRIPTION	ITEM
1	00032	LINER O-RING (2" O.D. X 1/16") 032	19
1	00002	DELAY O-RING (1.17" O.D. X .123")	18
1	03355	FWD DELAY SPACER (1-1/8" O.D. X .062")	17
1	05604	EJECTION CHARGE CAP (1-1/4")	16
1	03700	EJECTION CHARGE (USER SUPPLIED)	15
1	54FCC	FORWARD CLOSURE (REGULAR)	14
1	03356	DELAY INSULATOR (1.13" O.D. X .815")	13
1	03920	DELAY GRAIN (.933" O.D. X .803")	12
1	03970	AFT DELAY SPACER (.94" O.D. X .135")	11
1	00224	FORWARD O-RING (2" O.D. X 1/8") 224	10
1	05406	FORWARD INSULATOR (1.99" O.D. X 1/16")	9
2	03601	PROPELLANT GRAINS (1.870" O.D. X 3.285")	8
1	5485C	CASE	7
1	03000-2	PHENOLIC LINER (1.99" O.D. X 6.950")	6
NA		INNER LINER	5
1	00224	AFT O-RING (2" O.D. X 1/8") 224	4
1	01700-3	NOZZLE ( 54MM MEDUSA)1X .228"/ 2 X.161"	3
1	54ACC	AFT CLOSURE	2
1	04112	NOZZLE CAP (1.5" I.D.)	1

SUPPLIER DATA		RELOAD KIT IDENTIFICATION		UNLESS OTHERWISE SPECIFIED DIMENSIONS ARE IN INCHES		
AEROTECH INC.		10275L	J275W-L RMS PLUS	.XX +/- .010	.XXX +/- .005	ANGLES +/- 2 deg.
		RDK-31 PLUS	RELOAD DELAY KIT (LONG)			
				MATERIAL		
				NOTED		
				FINISH		
		<b>PART NUMBER</b>	<b>DESCRIPTION</b>			

LIST OF MATERIAL

CONTRACT NUMBER

**AEROTECH**  
CONSUMER AEROSPACE

2113 W. 850 N. Street  
Cedar City, Utah 84720  
(435) 865-7100 (Ph)  
(435) 865-7120 (Fax)

PREP B. ROSENFELD 8 / 99

CHKR

HP 54/852 MOTOR WITH J275W-L RMS-PLUS™ RELOAD KIT

SIZE **A** NUMBER

APVD

**ASSY DWG**

SCALE 1 / 1.5

SHEET 1 OF 1