

8

7

6

5

4

3

2

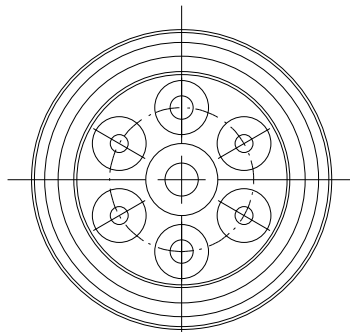
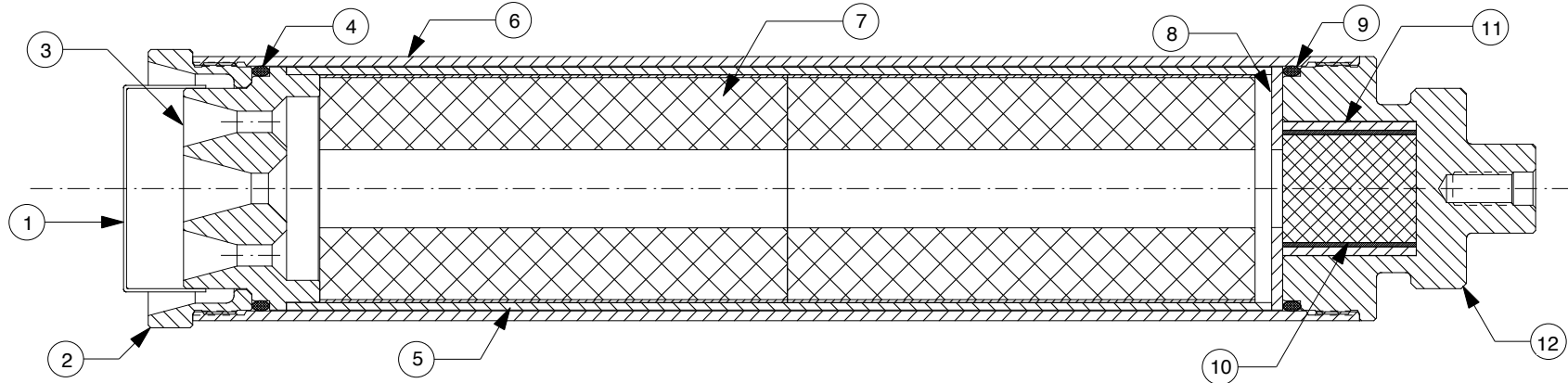
1

REVISIONS

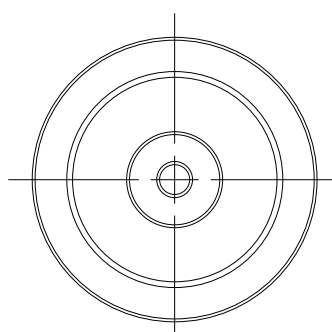
EFFECTIVITY	REV	DESCRIPTION	DATE	APPROVED
FUTURE	A	FIRST RELEASE ISSUE (REDLINE PROPELLANT)	09 / 26 / 01	

NOTES:

1. MOTOR ASSEMBLY SHOWN WITH SPECIFIED MOTOR HARDWARE & RELOAD KIT.



VIEW AFT CLOSURE



VIEW FORWARD CLOSURE

QTY	PART NUMBER	DESCRIPTION	ITEM
1	75FCP	FORWARD CLOSURE (PLUGGED)	12
1	03080	SMOKE CHG INSULATOR (1.5" O.D. X 1.5")	11
1	03287	SMOKE CHARGE(1.305"O.D. X 1.5")	10
1	00230	FORWARD O-RING (2.75" O.D. X 1/8") 230	9
1	05408	FORWARD INSULATOR (2.730" O.D. X .125")	8
2	03616-1	PROPELLANT GRAINS (2.557" O.D. X 5.250")	7
1	7525C	CASE	6
1	03035-2	PHENOLIC LINER (2.727" O.D. X 11.062")	5
1	00230	AFT O-RING (2.75" O.D. X 1/8") 230	4
1	01750-1	NOZZLE (75MM MEDUSA)1x.344"/ 2x.242"	3
1	75ACC	AFT CLOSURE	2
1	04214	NOZZLE CAP (2.25" I.D.)	1

SUPPLIER DATA

AEROTECH DIV. RCS RMC INC.

RELOAD KIT IDENTIFICATION

11780P

K780R-P

UNLESS OTHERWISE SPECIFIED DIMENSIONS ARE IN INCHES

.XX +/- .010	.XXX +/- .005	ANGLES +/- 2 deg.
-----------------	------------------	----------------------

MATERIAL

NOTED

FINISH

CONTRACT NUMBER

RCS ROCKET MOTOR COMPONENTS...
 2113 W. 850 N. Street
 Cedar City, Utah 84720
 (435) 865-7100 (Ph)
 (435) 865-7120 (Fax)

PREP B. ROSENFELD 5 / 01
 CHKR

HP 75/2560 MOTOR WITH K780R-P RELOAD KIT

APVD
 APVD

SIZE **A** NUMBER
ASSY DWG

PART NUMBER

DESCRIPTION

SCALE 1 / 2

SHEET 1 OF 1

8

7

6

5

4

3

2

1