

8

7

6

5

4

3

2

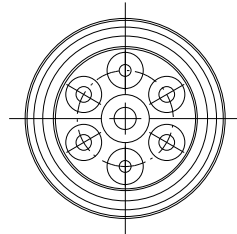
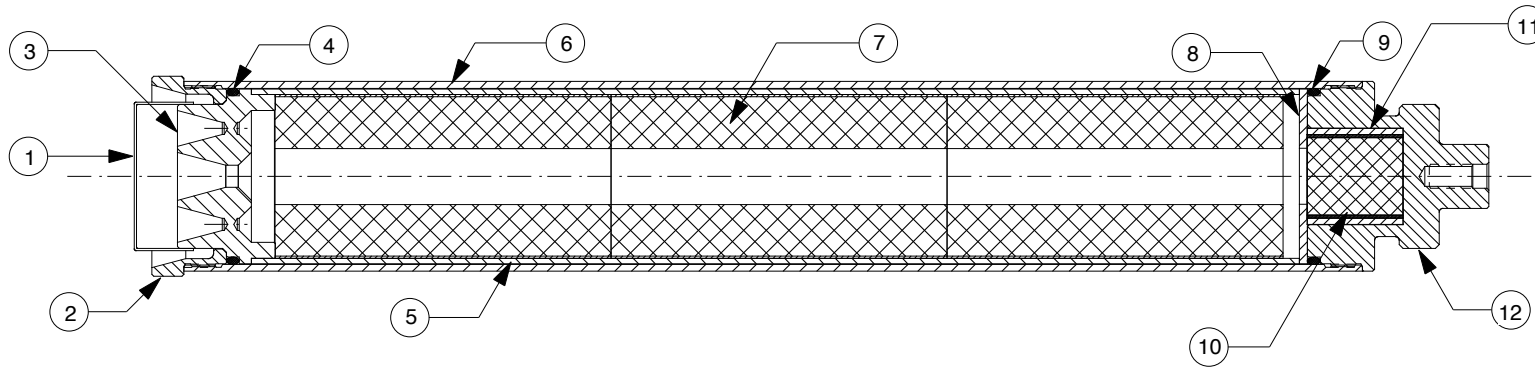
1

REVISIONS

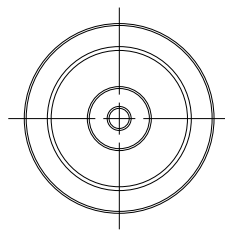
EFFECTIVITY	REV	DESCRIPTION	DATE	APPROVED
FUTURE	A	FIRST RELEASE ISSUE (REDLINE PROPELLANT)	09 / 25 / 01	

NOTES:

1. MOTOR ASSEMBLY SHOWN WITH SPECIFIED MOTOR HARDWARE & RELOAD KIT.



VIEW AFT CLOSURE



VIEW FORWARD CLOSURE

QTY	PART NUMBER	DESCRIPTION	ITEM
1	75FCP	FORWARD CLOSURE (PLUGGED)	12
1	03080	SMOKE CHG INSULATOR (1.5" O.D. X 1.5")	11
1	03287	SMOKE CHARGE(1.305" O.D. X 1.5")	10
1	00230	FORWARD O-RING (2.75" O.D. X 1/8") 230	9
1	05408	FORWARD INSULATOR (2.730" O.D. X .125")	8
3	03616-1	PROPELLANT GRAINS (2.557" O.D. X 5.250")	7
1	7538C	CASE	6
1	03035-3	PHENOLIC LINER (2.727" O.D. X 16.375")	5
1	00230	AFT O-RING (2.75" O.D. X 1/8") 230	4
1	01750-2	NOZZLE (75MM MEDUSA)1x .344" / 4 x .242"	3
1	75ACC	AFT CLOSURE	2
1	04214	NOZZLE CAP (2.25" I.D.)	1

SUPPLIER DATA

AEROTECH DIV. RCS RMC INC.

RELOAD KIT IDENTIFICATION

12115P

L1150R-P

UNLESS OTHERWISE SPECIFIED DIMENSIONS ARE IN INCHES

.XX +/- .010 .XXX +/- .005 ANGLES +/- 2 deg.

MATERIAL

NOTED

FINISH

PART NUMBER

DESCRIPTION

LIST OF MATERIAL

CONTRACT NUMBER



2113 W. 850 N. Street Cedar City, Utah 84720 (435) 865-7100 (Ph) (435) 865-7120 (Fax)

PREP B. ROSENFELD 5 / 01

CHKR

APVD

HP 75/3840 MOTOR WITH L1150R-P RELOAD KIT

SIZE A NUMBER ASSY DWG

SCALE 1 / 3 SHEET 1 OF 1

8

7

6

5

4

3

2

1