

8

7

6

5

4

3

2

1

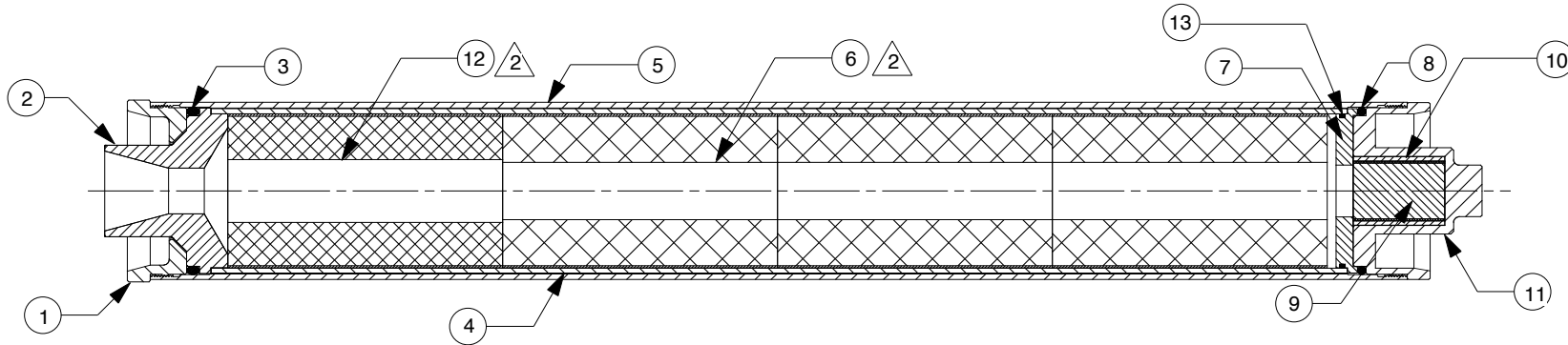
REVISIONS

EFFECTIVITY	REV	DESCRIPTION	DATE	APPROVED
FUTURE	A	FIRST RELEASE ISSUE	1/24/00	
FUTURE	B	REVISED PROPELLANT GRAINS (SEE E.O.'S)	9/12/01	
FUTURE	C	REV PART NUMBER OF AFT GRAIN (SEE E.O.)	1/08/04	
FUTURE	D	CHANGED NOZZLE DESIGNATION, ADDED FWD SEAL DISK & O-RING, REMOVED FWD INSULATOR	4/12/07	
FUTURE	E	REMOVED INNER & OUTER SMOKE CHARGE O-RINGS, REMOVED SMOKE CHG BACKUP RING	4/19/07	
FUTURE	F	ADDED REUSABLE FORWARD SEAL DISK, REMOVED DISPOSABLE FORWARD SEAL DISK	8/21/08	

NOTES:

1. MOTOR ASSEMBLY SHOWN WITH SPECIFIED MOTOR HARDWARE & RELOAD KIT.

2. AFT GRAINS BONDED TO PHENOLIC LINER WITH 30-MINUTE EPOXY RESIN PER RELOAD KIT INSTRUCTION SHEET.



QTY	PART NUMBER	DESCRIPTION	ITEM
1	00151	FWD SEAL DISK O-RING (3-3/8" O.D. X 3/32") 151	13
1	03618-7	AFT PROPELLANT GRAIN (3.37" O.D. X 6.00")	12
1	98FCP	FORWARD CLOSURE (PLUGGED)	11
1	03081	SMOKE CHG INSULATOR (1.5" O.D. X 2.0")	10
1	03288	SMOKE CHARGE(1.305"O.D. X 2.0") 1.938	9
1	00339	FORWARD O-RING (3.625" O.D. X 3/16") 339	8
1	98FSD	FORWARD SEAL DISK	7
3	03618-3	PROPELLANT GRAINS (3.37" O.D. X 6.00")	6
1	9810C	CASE	5
1	03040-4	PHENOLIC LINER (3.592" O.D. X 24.813")	4
1	00339	AFT O-RING (3.625" O.D. X 3/16") 339	3
1	01800-5(M)	NOZZLE (KLMN 98MM) 1.0" I.D. /1.75" EXIT	2
1	98ACC	AFT CLOSURE	1

SUPPLIER DATA		RELOAD KIT IDENTIFICATION	
AEROTECH DIV. RCS RMC INC.	13250P	M2500T-P	
UNLESS OTHERWISE SPECIFIED DIMENSIONS ARE IN INCHES			
		.XX +/- .010	.XXX +/- .005
		ANGLES +/- 2 deg.	
MATERIAL		NOTED	
FINISH			
PART NUMBER		DESCRIPTION	

LIST OF MATERIAL			
CONTRACT NUMBER		2113 W. 850 N. Street Cedar City, Utah 84720 (435) 865-7100 (Ph) (435) 865-7120 (Fax)	
PREP	B. ROSENFELD	8 / 99	HP 98/10240 MOTOR WITH M2500T-P RELOAD KIT
CHKR			
APVD		SIZE	NUMBER
APVD		A	ASSY DWG
SCALE 1 / 4		SHEET 1 OF 1	

8

7

6

5

4

3

2

1