

8

7

6

5

4

3

2

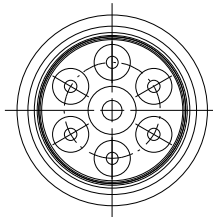
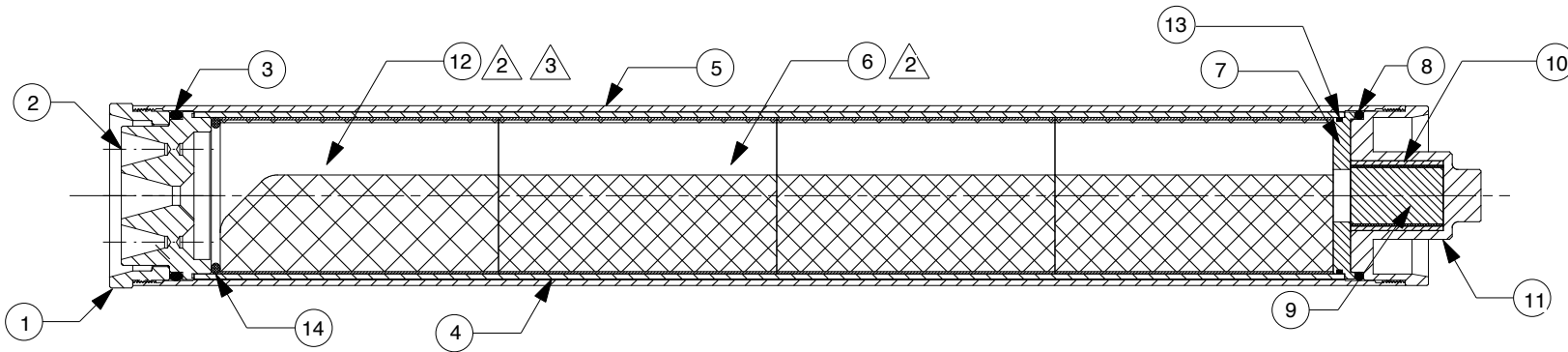
1

REVISIONS

EFFECTIVITY	REV	DESCRIPTION	DATE	APPROVED
FUTURE	A	FIRST RELEASE ISSUE	6 / 21 / 07	
FUTURE	B	ADDED REUSABLE FORWARD SEAL DISK, REMOVED DISPOSABLE FORWARD SEAL DISK	8 / 21 / 08	


NOTES:

- MOTOR ASSEMBLY SHOWN WITH SPECIFIED MOTOR HARDWARE & RELOAD KIT.
- GRAINS BONDED TOGETHER WITH 15-MINUTE EPOXY RESIN PER RELOAD KIT INSTRUCTION SHEET.
- AFT GRAIN CHAMFERED END ORIENTED TOWARD NOZZLE



VIEW AFT CLOSURE

1	00337	GRAIN SPACER O-RING (3-3/8" O.D. X 3/16") 337	14
1	00151	FWD SEAL DISK O-RING (3-3/8" O.D. X 3/32") 151	13
1	03623-1	AFT PROP GRAIN (3.37" O.D. X 6.00" CHAMFERED)	12
1	98FCP	FORWARD CLOSURE (PLUGGED)	11
1	03081	SMOKE CHG INSULATOR (1.5" O.D. X 2.0")	10
1	03288	SMOKE CHARGE(1.305"O.D. X 2.0") 1.938	9
1	00339	FORWARD O-RING (3.625" O.D. X 3/16") 339	8
1	98FSD	FORWARD SEAL DISK	7
3	03623	FWD PROPELLANT GRAINS (3.37" O.D. X 6.00")	6
1	9810C	CASE	5
1	03040-4	PHENOLIC LINER (3.592" O.D. X 24.813")	4
1	00339	AFT O-RING (3.625" O.D. X 3/16") 339	3
1	01850-1	NOZZLE (98MM MEDUSA) 4M DRILLED .256"	2
1	98AC2	AFT CLOSURE, ENLARGED	1

QTY	PART NUMBER	DESCRIPTION	ITEM
LIST OF MATERIAL			
CONTRACT NUMBER		 2113 W. 850 N. Street Cedar City, Utah 84720 (435) 865-7100 (Ph) (435) 865-7120 (Fax)	
PREP	G. ROSENFIELD		
CHKR			HP 98/10240 MOTOR WITH M750W-P RELOAD KIT
APVD		SIZE A	NUMBER ASSY DWG
APVD		SCALE 1 / 4	SHEET 1 OF 1

SUPPLIER DATA

AEROTECH DIV. RCS RMC INC.

RELOAD KIT IDENTIFICATION

13750P

M750W-P

UNLESS OTHERWISE SPECIFIED DIMENSIONS ARE IN INCHES

.XX +/- .010	.XXX +/- .005	ANGLES +/- 2 deg.
-----------------	------------------	----------------------

MATERIAL

NOTED

FINISH

PART NUMBER

DESCRIPTION

8

7

6

5

4

3

2

1