

8

7

6

5

4

3

2

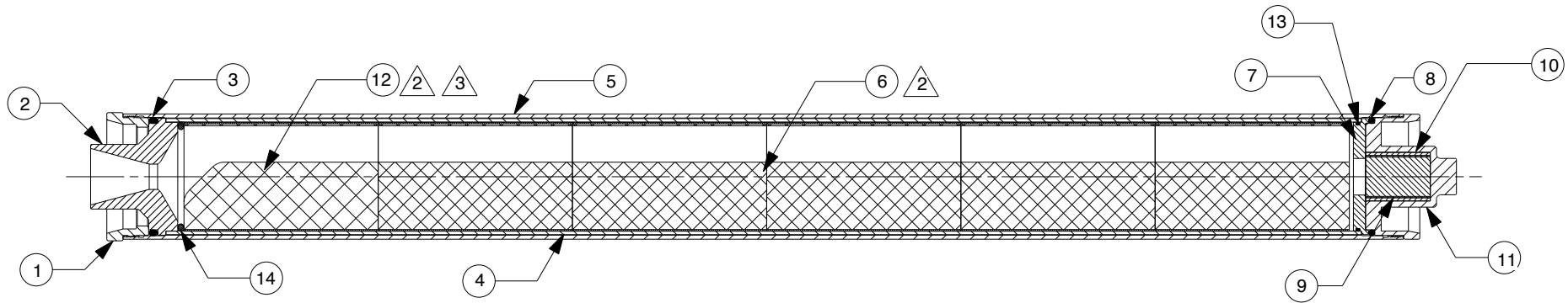
1

REVISIONS

EFFECTIVITY	REV	DESCRIPTION	DATE	APPROVED
FUTURE	A	FIRST RELEASE ISSUE	10 / 6 / 08	

NOTES:

- 1. MOTOR ASSEMBLY SHOWN WITH SPECIFIED MOTOR HARDWARE & RELOAD KIT.
- 2. GRAINS BONDED TOGETHER WITH 15-MINUTE EPOXY RESIN PER RELOAD KIT INSTRUCTION SHEET.
- 3. AFT GRAIN CHAMFERED END ORIENTED TOWARD NOZZLE



QTY	PART NUMBER	DESCRIPTION	ITEM
1	00337	GRAIN SPACER O-RING (3-3/8" O.D. X 3/16") 337	14
1	00151	FWD SEAL DISK O-RING (3-3/8" O.D. X 3/32") 151	13
1	03624-1	AFT PROP GRAIN (3.37" O.D. X 6.00" CHAMFERED)	12
1	98FCP	FORWARD CLOSURE (PLUGGED)	11
1	03081	SMOKE CHG INSULATOR (1.5" O.D. X 2.0")	10
1	03288	SMOKE CHARGE(1.305"O.D. X 2.0")	9
1	00339	FORWARD O-RING (3.625" O.D. X 3/16") 339	8
1	98FSD	FORWARD SEAL DISK	7
5	03624	FWD PROPELLANT GRAINS (3.37" O.D. X 6.00")	6
1	9815C	CASE	5
1	03040-6	PHENOLIC LINER (3.592" O.D. X 36.938")	4
1	00339	AFT O-RING (3.625" O.D. X 3/16") 339	3
1	01800-6(M)	NOZZLE ( KLMN 98MM) .781" I.D. /1.75" EXIT	2
1	98AC2	AFT CLOSURE, ENLARGED	1

SUPPLIER DATA		RELOAD KIT IDENTIFICATION	
AEROTECH DIV RCS RMC INC.	14100P	N1000W-P	
UNLESS OTHERWISE SPECIFIED DIMENSIONS ARE IN INCHES			
		.XX +/- .010	.XXX +/- .005
		ANGLES +/- 2 deg.	
MATERIAL			
NOTED			
FINISH			
PART NUMBER		DESCRIPTION	

LIST OF MATERIAL

CONTRACT NUMBER

PREP G. ROSENFIELD 10 / 08

CHKR

APVD

APVD

SCALE 1 / 5

SHEET 1 OF 1

2113 W. 850 N. Street  
Cedar City, Utah 84720  
(435) 865-7100 (Ph)  
(435) 865-7120 (Fax)

**RCS** ROCKET MOTOR COMPONENTS

HP 98/15360 MOTOR WITH N1000W-P RELOAD KIT

SIZE **A** NUMBER

**ASSY DWG**

8

7

6

5

4

3

2

1