

8

7

6

5

4

3

2

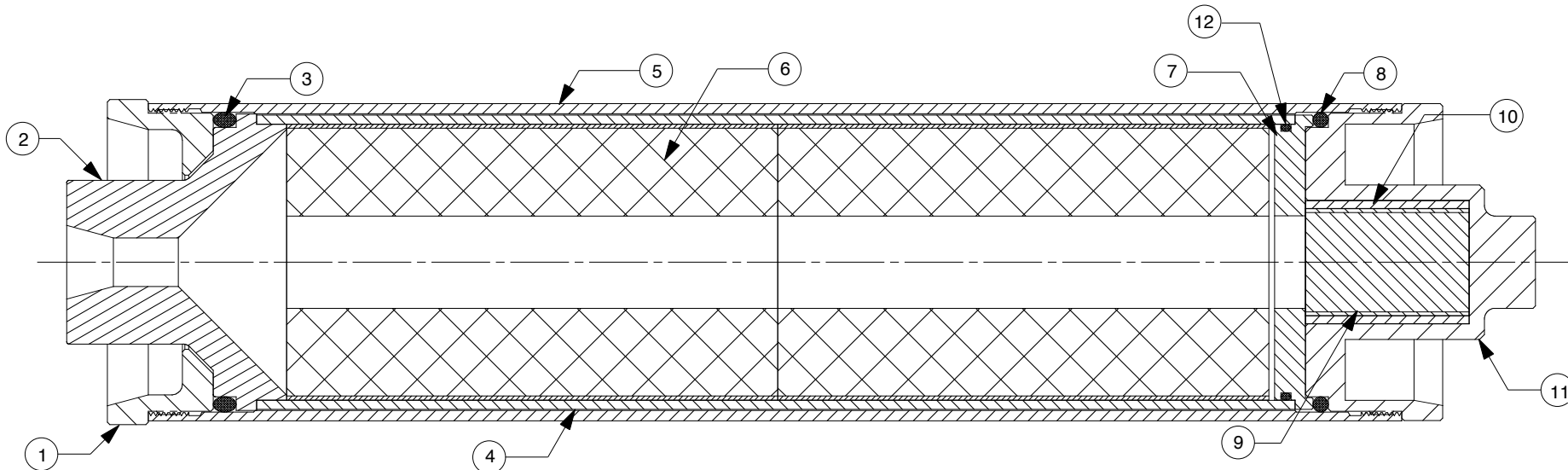
1

### REVISIONS

EFFECTIVITY	REV	DESCRIPTION	DATE	APPROVED
FUTURE	A	FIRST RELEASE ISSUE	11 / 11 / 99	
FUTURE	B	REMOVED SMOKE CHARGE SEALING COMPONENTS	1 / 11 / 08	
FUTURE	C	ADDED FORWARD SEAL DISK AND SEAL DISK O-RING, REMOVED FWD INSULATOR	8 / 20 / 08	

#### NOTES:

1. MOTOR ASSEMBLY SHOWN WITH SPECIFIED MOTOR HARDWARE & RELOAD KIT.



QTY	PART NUMBER	DESCRIPTION	ITEM
1	00151	FWD SEAL DISK O-RING (3-3/8" O.D. X 3/32") 151	12
1	98FCP	FORWARD CLOSURE (PLUGGED)	11
1	03081	SMOKE CHG INSULATOR (1.5" O.D. X 2.0")	10
1	03288	SMOKE CHARGE(1.305"O.D. X 2.0") 1.938	9
1	00339	FORWARD O-RING (3.625" O.D. X 3/16") 339	8
1	98FSD	FORWARD SEAL DISK	7
2	03618	PROPELLANT GRAINS (3.37" O.D. X 6.00")	6
1	9851C	CASE	5
1	03040-2	PHENOLIC LINER (3.592" O.D. X 12.688")	4
1	00339	AFT O-RING (3.625" O.D. X 3/16") 339	3
1	01800-2	NOZZLE ( KLMN 98MM) .594" DRILLED	2
1	98ACC	AFT CLOSURE	1

#### SUPPLIER DATA

AEROTECH DIV. RCS RMC INC.

#### RELOAD KIT IDENTIFICATION

12952P

L952W-P

UNLESS OTHERWISE SPECIFIED DIMENSIONS ARE IN INCHES

.XX	.XXX	ANGLES
+/- .010	+/- .005	+/- 2 deg.

MATERIAL

NOTED

FINISH

PART NUMBER

DESCRIPTION

LIST OF MATERIAL

CONTRACT NUMBER

PREP B. ROSENFELD 8 / 99

CHKR

APVD

APVD

SCALE 1 / 2

SHEET 1 OF 1

2113 W. 850 N. Street  
Cedar City, Utah 84720  
(435) 865-7100 (Ph)  
(435) 865-7120 (Fax)

**RCS** ROCKET MOTOR COMPONENTS

HP 98/5120 MOTOR WITH L952W-P RELOAD KIT

SIZE **A** NUMBER **ASSY DWG**

8

7

6

5

4

3

2

1