

8

7

6

5

4

3

2

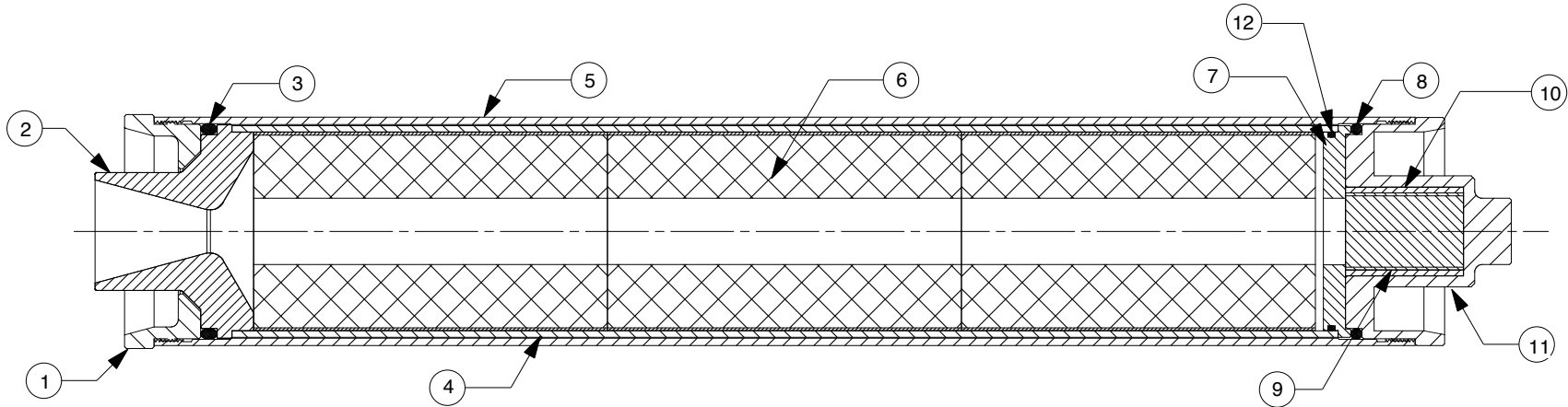
1

NOTES:

1. MOTOR ASSEMBLY SHOWN WITH SPECIFIED MOTOR HARDWARE & RELOAD KIT.

REVISIONS

EFFECTIVITY	REV	DESCRIPTION	DATE	APPROVED
FUTURE	A	FIRST RELEASE ISSUE (REDLINE PROPELLANT)	6 / 12 / 01	
FUTURE	B	CHANGED NOZZLE DESIGNATION TO 01800-3M	4 / 12 / 07	
FUTURE	C	REMOVED SMOKE CHARGE SEALING COMPONENTS	1 / 11 / 08	
FUTURE	D	ADDED FORWARD SEAL DISK AND SEAL DISK O-RING, REMOVED FWD INSULATOR	8 / 20 / 08	



QTY	PART NUMBER	DESCRIPTION	ITEM
1	00151	FWD SEAL DISK O-RING (3-3/8" O.D. X 3/32") 151	12
1	98FCP	FORWARD CLOSURE (PLUGGED)	11
1	03081	SMOKE CHG INSULATOR (1.5" O.D. X 2.0")	10
1	03288	SMOKE CHARGE(1.305"O.D. X 2.0") 1.938	9
1	00339	FORWARD O-RING (3.625" O.D. X 3/16") 339	8
1	98FSD	FORWARD SEAL DISK	7
3	03618-5	PROPELLANT GRAINS (3.37" O.D. X 6.00")	6
1	9876C	CASE	5
1	03040-3	PHENOLIC LINER (3.592" O.D. X 18.750")	4
1	00339	AFT O-RING (3.625" O.D. X 3/16") 339	3
1	01800-3M	NOZZLE (KLMN 98MM) .734" I.D. /1.75" EXIT	2
1	98ACC	AFT CLOSURE	1

SUPPLIER DATA

AEROTECH DIV. RCS RMC INC.

RELOAD KIT IDENTIFICATION

13160P

M1600R-P

UNLESS OTHERWISE SPECIFIED DIMENSIONS ARE IN INCHES

.XX +/- .010 .XXX +/- .005 ANGLES +/- 2 deg.

MATERIAL

NOTED

FINISH

PART NUMBER

DESCRIPTION

CONTRACT NUMBER		LIST OF MATERIAL	
PREP	B. ROSENFELD	5 / 01	HP 98/7680 MOTOR WITH M1600R-P RELOAD KIT
CHKR			
APVD		SIZE	NUMBER
APVD		A	ASSY DWG
SCALE 1 / 3		SHEET 1 OF 1	

RCS ROCKET MOTOR COMPONENTS, INC.
 2113 W. 850 N. Street
 Cedar City, Utah 84720
 (435) 865-7100 (Ph)
 (435) 865-7120 (Fax)

8

7

6

5

4

3

2

1