

8

7

6

5

4

3

2

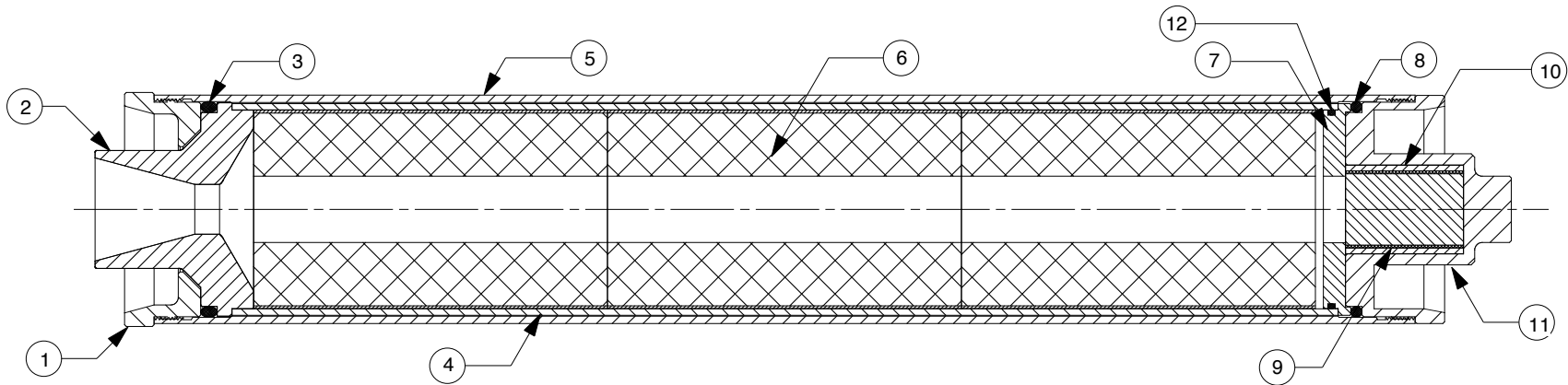
1

REVISIONS

EFFECTIVITY	REV	DESCRIPTION	DATE	APPROVED
FUTURE	A	FIRST RELEASE ISSUE	3 / 20 / 08	
FUTURE	B	ADDED REUSABLE FORWARD SEAL DISK, REMOVED DISPOSABLE FORWARD SEAL DISK	8 / 20 / 08	

NOTES:

- MOTOR ASSEMBLY SHOWN WITH SPECIFIED MOTOR HARDWARE & RELOAD KIT.



QTY	PART NUMBER	DESCRIPTION	ITEM
1	00151	FWD SEAL DISK O-RING (3-3/8" O.D. X 3/32") 151	12
1	98FCP	FORWARD CLOSURE (PLUGGED)	11
1	03081	SMOKE CHG INSULATOR (1.5" O.D. X 2.0")	10
1	03288	SMOKE CHARGE (1.305" O.D. X 2.00")	9
1	00339	FORWARD O-RING (3.625" O.D. X 3/16") 339	8
1	98FSD	FORWARD SEAL DISK	7
3	03G049	PROPELLANT GRAINS (3.37" O.D. X 6.00")	6
1	9876C	CASE	5
1	03040-3	PHENOLIC LINER (3.592" O.D. X 18.750")	4
1	00339	AFT O-RING (3.625" O.D. X 3/16") 339	3
1	01800-4(M)	NOZZLE (KLMN 98MM) .844" I.D. /1.75" EXIT	2
1	98ACC	AFT CLOSURE	1

SUPPLIER DATA		RELOAD KIT IDENTIFICATION	
AEROTECH DIV. RCS RMC INC.	13210P	M2100G-P	
PART NUMBER		DESCRIPTION	

UNLESS OTHERWISE SPECIFIED DIMENSIONS ARE IN INCHES		
.XX +/- .010	.XXX +/- .005	ANGLES +/- 2 deg.
MATERIAL		
NOTED		
FINISH		

LIST OF MATERIAL

CONTRACT NUMBER

PREP G. ROSENFELD 3 / 08

CHKR

APVD

APVD

SCALE 1 / 3

SHEET 1 OF 1

2113 W. 850 N. Street
Cedar City, Utah 84720
(435) 865-7100 (Ph)
(435) 865-7120 (Fax)

RCS ROCKET MOTOR COMPONENTS

HP 98/7680 MOTOR WITH M2100G-P RELOAD KIT

SIZE **A** NUMBER

ASSY DWG

8

7

6

5

4

3

2

1