

8

7

6

5

4

3

2

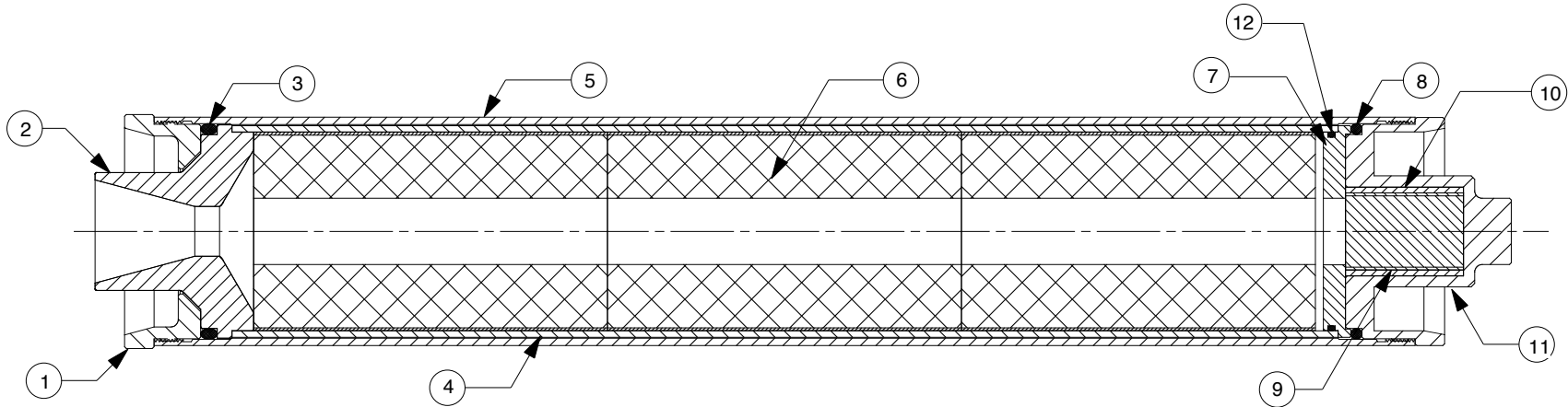
1

### REVISIONS

EFFECTIVITY	REV	DESCRIPTION	DATE	APPROVED
FUTURE	A	FIRST RELEASE ISSUE	11 / 11 / 99	
FUTURE	B	CHANGED NOZZLE DESIGNATION TO 01800-4(M)	4 / 11 / 07	
FUTURE	C	REMOVED SMOKE CHARGE SEALING COMPONENTS	1 / 11 / 08	
FUTURE	D	ADDED FORWARD SEAL DISK AND SEAL DISK O-RING, REMOVED FWD INSULATOR	8 / 20 / 08	

### NOTES:

- MOTOR ASSEMBLY SHOWN WITH SPECIFIED MOTOR HARDWARE & RELOAD KIT.



QTY	PART NUMBER	DESCRIPTION	ITEM
1	00151	FWD SEAL DISK O-RING (3-3/8" O.D. X 3/32") 151	12
1	98FCP	FORWARD CLOSURE (PLUGGED)	11
1	03081	SMOKE CHG INSULATOR (1.5" O.D. X 2.0")	10
1	03288	SMOKE CHARGE(1.305"O.D. X 2.0") 1.938	9
1	00339	FORWARD O-RING (3.625" O.D. X 3/16") 339	8
1	98FSD	FORWARD SEAL DISK	7
3	03618-2	PROPELLANT GRAINS (3.37" O.D. X 6.00")	6
1	9876C	CASE	5
1	03040-3	PHENOLIC LINER (3.592" O.D. X 18.750")	4
1	00339	AFT O-RING (3.625" O.D. X 3/16") 339	3
1	01800-4(M)	NOZZLE ( KLMN 98MM) .844" I.D. /1.75" EXIT	2
1	98ACC	AFT CLOSURE	1

### SUPPLIER DATA

AEROTECH DIV. RCS RMC INC.

### RELOAD KIT IDENTIFICATION

13240P

M2400T-P

UNLESS OTHERWISE SPECIFIED DIMENSIONS ARE IN INCHES

.XX +/- .010	.XXX +/- .005	ANGLES +/- 2 deg.
-----------------	------------------	----------------------

MATERIAL

NOTED

FINISH

PART NUMBER

DESCRIPTION

CONTRACT NUMBER		LIST OF MATERIAL	
PREP	B. ROSENFELD	8 / 99	
CHKR			
APVD			
APVD			
		2113 W. 850 N. Street Cedar City, Utah 84720 (435) 865-7100 (Ph) (435) 865-7120 (Fax)	
<b>HP 98/7680 MOTOR WITH M2400T-P RELOAD KIT</b>			
SIZE	A	NUMBER	
		<b>ASSY DWG</b>	
SCALE		1 / 3	SHEET 1 OF 1

8

7

6

5

4

3

2

1