

8

7

6

5

4

3

2

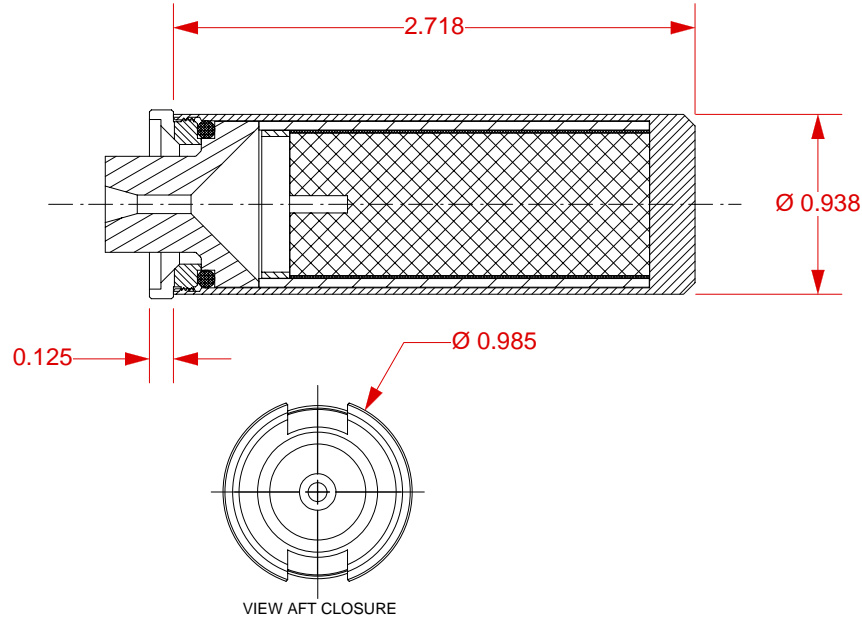
1

REVISIONS

EFFECTIVITY	REV	DESCRIPTION	DATE	APPROVED
FUTURE	A	FIRST RELEASE ISSUE	10 / 16 / 03	

NOTES:

1. MOTOR ASSEMBLY SHOWN WITH OVERALL EXTERIOR DIMENSIONS.



SUPPLIER DATA

USED IN THE FOLLOWING PRODUCTS

UNLESS OTHERWISE SPECIFIED DIMENSIONS ARE IN INCHES

.XX +/- .010	.XXX +/- .005	ANGLES +/- 2 deg.
-----------------	------------------	----------------------

MATERIAL

FINISH

QTY	PART NUMBER	DESCRIPTION	ITEM
LIST OF MATERIAL			
CONTRACT NUMBER		AEROTECH CONSUMER AEROSPACE 2113 W. 850 N. Street Cedar City, Utah 84720 (435) 865-7100 (Ph) (435) 865-7120 (Fax)	
PREP	B. ROSENFELD	10 / 03	
CHKR			
APVD		SIZE	NUMBER
APVD		A	ASSY DWG
SCALE 1 / 1		SHEET 1 OF 1	

PART NUMBER	DESCRIPTION	PART NUMBER	DESCRIPTION

8

7

6

5

4

3

2

1