

8

7

6

5

4

3

2

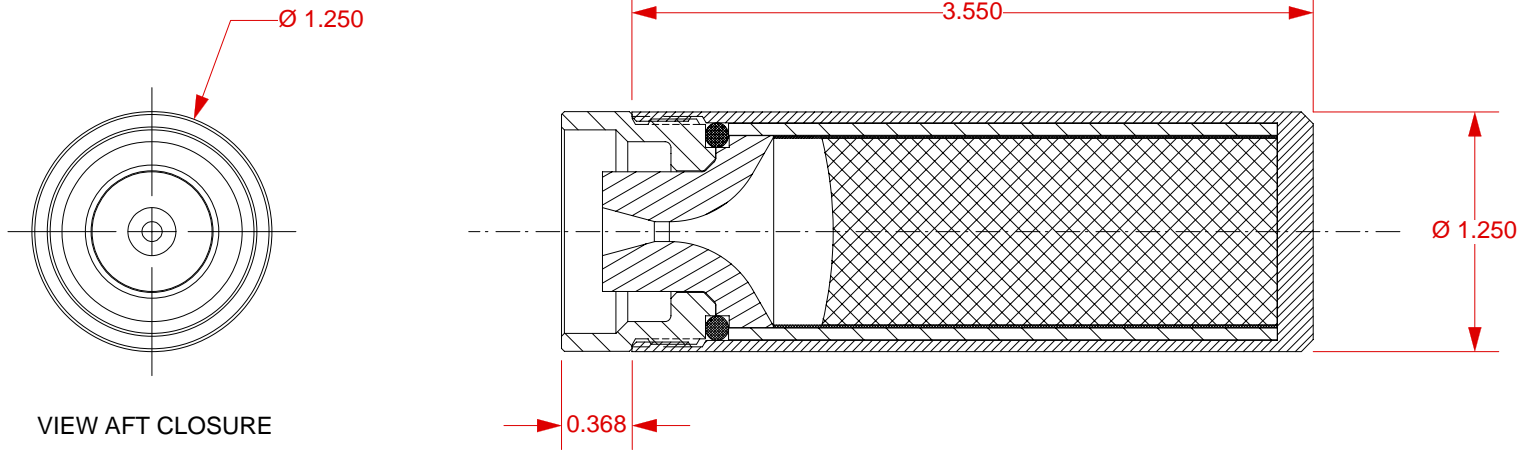
1

REVISIONS

EFFECTIVITY	REV	DESCRIPTION	DATE	APPROVED
FUTURE	A	FIRST RELEASE ISSUE	10 / 16 / 03	

NOTES:

1. MOTOR ASSEMBLY SHOWN WITH OVERALL EXTERIOR DIMENSIONS.



SUPPLIER DATA

USED IN THE FOLLOWING PRODUCTS

UNLESS OTHERWISE SPECIFIED DIMENSIONS ARE IN INCHES

QTY	PART NUMBER	DESCRIPTION	ITEM
LIST OF MATERIAL			
CONTRACT NUMBER		AEROTECH CONSUMER AEROSPACE 2113 W. 850 N. Street Cedar City, Utah 84720 (435) 865-7100 (Ph) (435) 865-7120 (Fax)	
PREP	B. ROSENFELD	10 / 03	RMS-RC 32/60 MOTOR DIMENSIONAL DRAWING ASSY DWG
CHKR			
APVD			
APVD			
FINISH		SIZE	NUMBER
		A	
		SCALE	1 / 1
		SHEET 1 OF 1	

PART NUMBER	DESCRIPTION	PART NUMBER	DESCRIPTION

8

7

6

5

4

3

2

1