

8

7

6

5

4

3

2

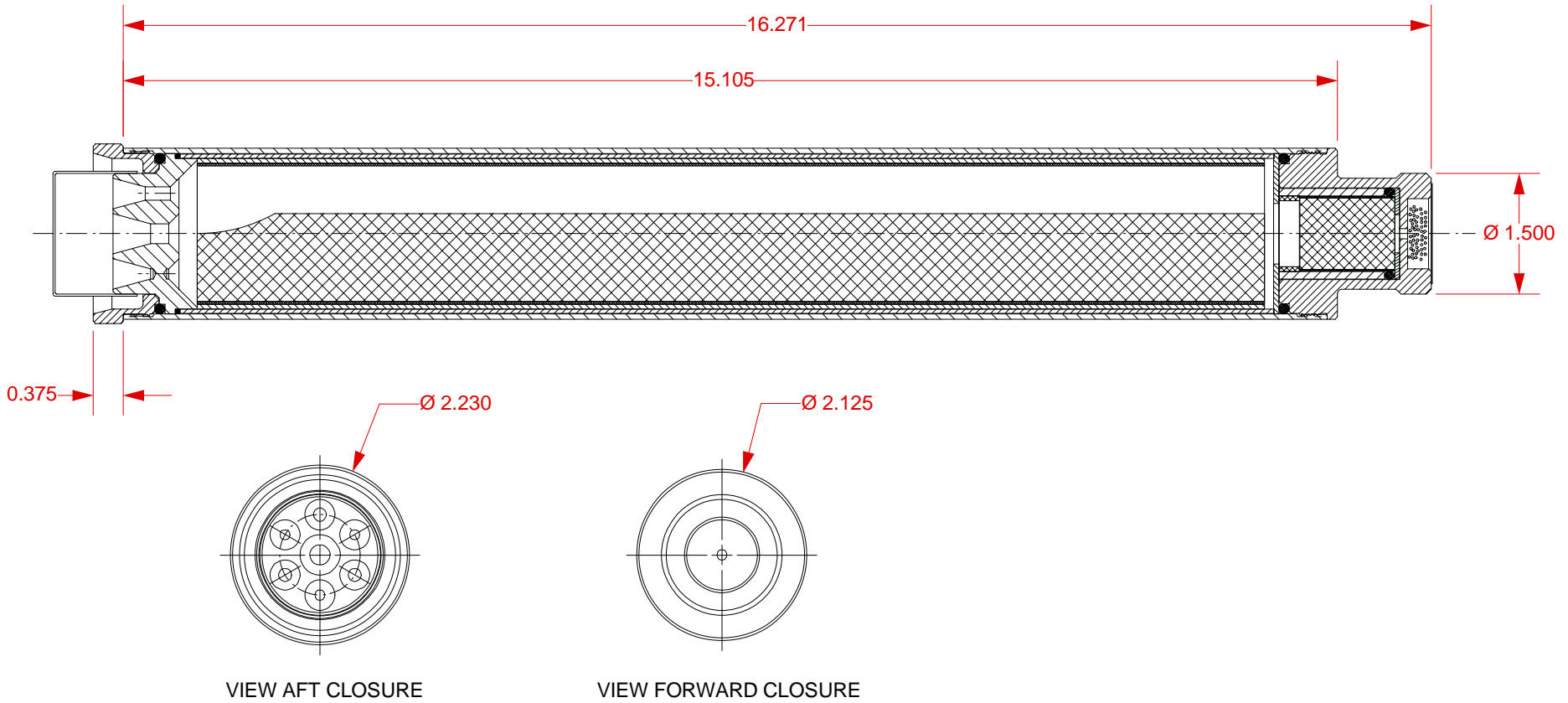
1

### REVISIONS

EFFECTIVITY	REV	DESCRIPTION	DATE	APPROVED
FUTURE	A	FIRST RELEASE ISSUE	8 / 20 / 04	

#### NOTES:

- MOTOR ASSEMBLY SHOWN WITH OVERALL EXTERIOR DIMENSIONS.



#### SUPPLIER DATA

AEROTECH

#### RELOAD KIT IDENTIFICATION

UNLESS OTHERWISE SPECIFIED DIMENSIONS ARE IN INCHES

.XX +/- .010	.XXX +/- .005	ANGLES +/- 2 deg.
-----------------	------------------	----------------------

MATERIAL

NOTED

FINISH

QTY	PART NUMBER	DESCRIPTION	ITEM
LIST OF MATERIAL			
CONTRACT NUMBER		<b>RCS</b> ROCKET MOTOR COMPONENTS, INC. 2113 W. 850 N. Street Cedar City, Utah 84720 (435) 865-7100 (Ph) (435) 865-7120 (Fax)	
PREP	B. ROSENFELD	8 / 04	<b>HP 54/1706 MOTOR (LONG BURN)            DIMENSIONAL DRAWING</b>  SIZE <b>A</b> NUMBER <b>ASSY DWG</b>
CHKR			
APVD			
SCALE 1 / 2		SHEET 1 OF 1	

PART NUMBER

DESCRIPTION

8

7

6

5

4

3

2

1